

**TROUBLE SHOOTING MANUAL  
ILLUSTRATED  
PARTS DRAWINGS  
AND  
PARTS LISTING**

**2-71 DETROIT DIESEL ENGINE**

** NEMERSON**  
**2-71 GENERATORS**

***Pocatello, Idaho 83201***  
***1-800-387-4972***

# TABLE OF CONTENTS

NAME		PAGE
<b>BASIC ENGINE SECTION:</b>		
ROCKER COVER .....	1	54
CYLINDER HEAD .....	2	54
CYLINDER BLOCK .....	3	54
CONNECTING ROD & PISTON .....	4	56
CAMSHAFT & GEAR TRAIN .....	5	56
CRANKSHAFT .....	6	58
CRANKSHAFT FRONT COVER .....	7	58
VALVE OPERATING MECHANISM .....	8	60
FLYWHEEL & FLYWHEEL HOUSING .....	9	60
<b>FUEL SYSTEM:</b>		
FUEL INJECTOR .....	10	62
FUEL STRAINER .....	11	64
FUEL FILTER .....	12	64
FUEL PUMP .....	13	64
FUEL SYSTEM LAYOUT .....	14	67
GOVERNOR, MECH. (TWO-SPEED) .....	15	70
INJECTOR CONTROL .....	16	74
<b>AIR INTAKE SYSTEM:</b>		
AIR INLET HOUSING .....	17	74
BLOWER DRAIN .....	18	76
BLOWER .....	19	76
<b>LUBRICATING SYSTEM:</b>		
OIL COOLER .....	20	78
OIL PUMP & DISTRIBUTION SYSTEM .....	21	78
OIL FILTER .....	22	80
OIL COOLER, BY-PASS VALVE .....	23	80
OIL PAN .....	24	80

PARTS GROUP INDEX . . . . (Cont'd)

NAME	FIG.	PAGE
<b>COOLING SYSTEM:</b>		
WATER PUMP . . . . .	25	82
FAN . . . . .	26	82
THERMOSTAT & HOUSING . . . . .	27	82
RADIATOR ASSY. . . . .	<b>31</b>	<b>86</b>
FAN SHROUD . . . . .	<b>31</b>	86
WATER CONNECTIONS . . . . .	30	86
RADIATOR SUPPORT FRAME . . . . .	31	86
<b>EMERGENCY SHUT-DOWN SYSTEM:</b>		
FAILSAFE LAYOUT . . . . .	32	88
ELECTRICAL LAYOUT . . . . .	33	90
<b>ENGINE MOUNTING &amp; BASE:</b>		
FRONT MOUNTING, ENGINE . . . . .	34	92
MOUNTING BLOCKS, FRONT & REAR . . . . .	35	92
BASE FRAME . . . . .	36	92
<b>DIESEL GENERATOR SETS</b>		
MODEL NO. (FRONT & REAR VIEW) . . . . .	37 & 38	94
MODEL NO. (LEFT & RIGHT VIEW). . . . .	39 & 40	95

## ABBREVIATIONS

AR . . . . .	as required	I.D. . . . .	inside diameter
assy . . . . .	assembly	int . . . . .	internal
cyl . . . . .	cylinder	inv . . . . .	inverted
dev . . . . .	developed	L . . . . .	length
dia . . . . .	diameter	L.H. . . . .	left hand
exh . . . . .	exhaust	O.D. . . . .	outside diameter
ext . . . . .	external	O.S. . . . .	oversize
fl . . . . .	flared or flat	P.T. . . . .	pipe thread
flex . . . . .	flexible	rd . . . . .	round
fig . . . . .	figure	red . . . . .	reducing or reduction
fil . . . . .	fillister	R.H. . . . .	right hand
G.M. . . . .	General Motors	sl . . . . .	slotted
gov . . . . .	governor	U.S. . . . .	undersize
hd . . . . .	head	V . . . . .	volt
hex . . . . .	hexagon	W . . . . .	watt or width

# 1971 MODEL

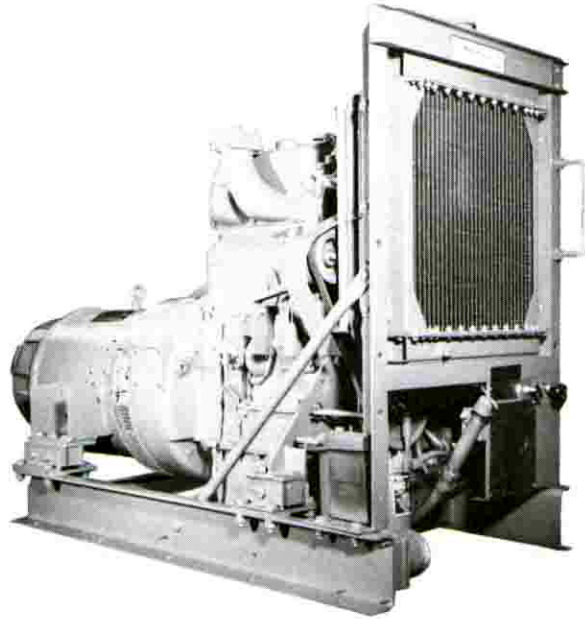


FIGURE 1 EDI

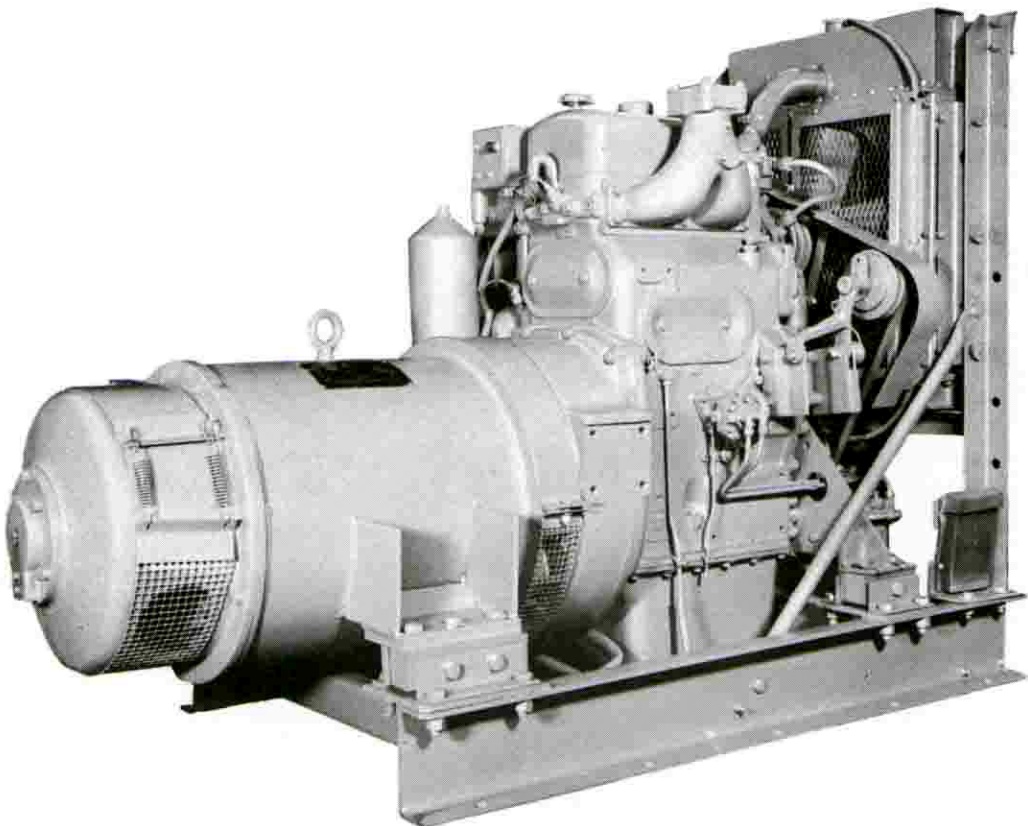


FIGURE 2 EDI

# 1971 MODEL

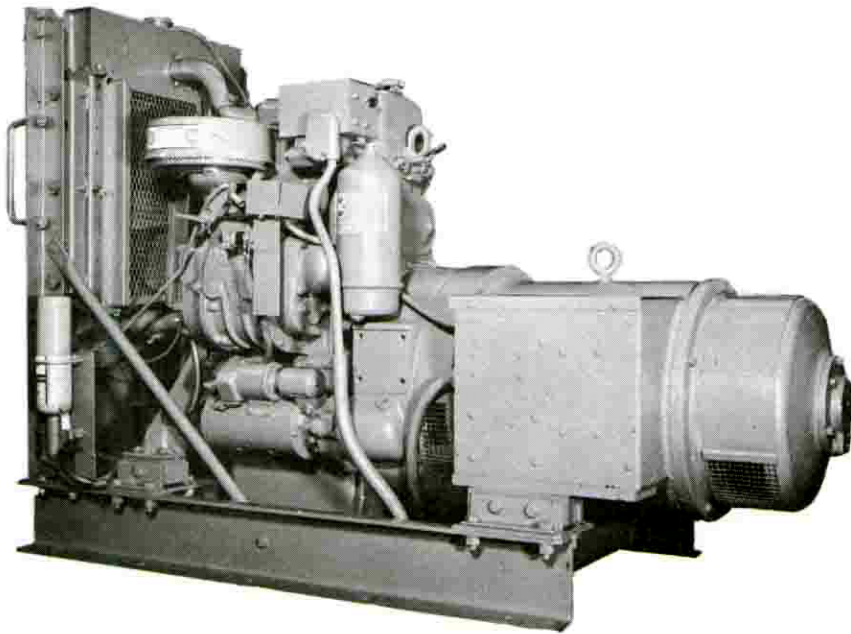


FIGURE 3 EDI

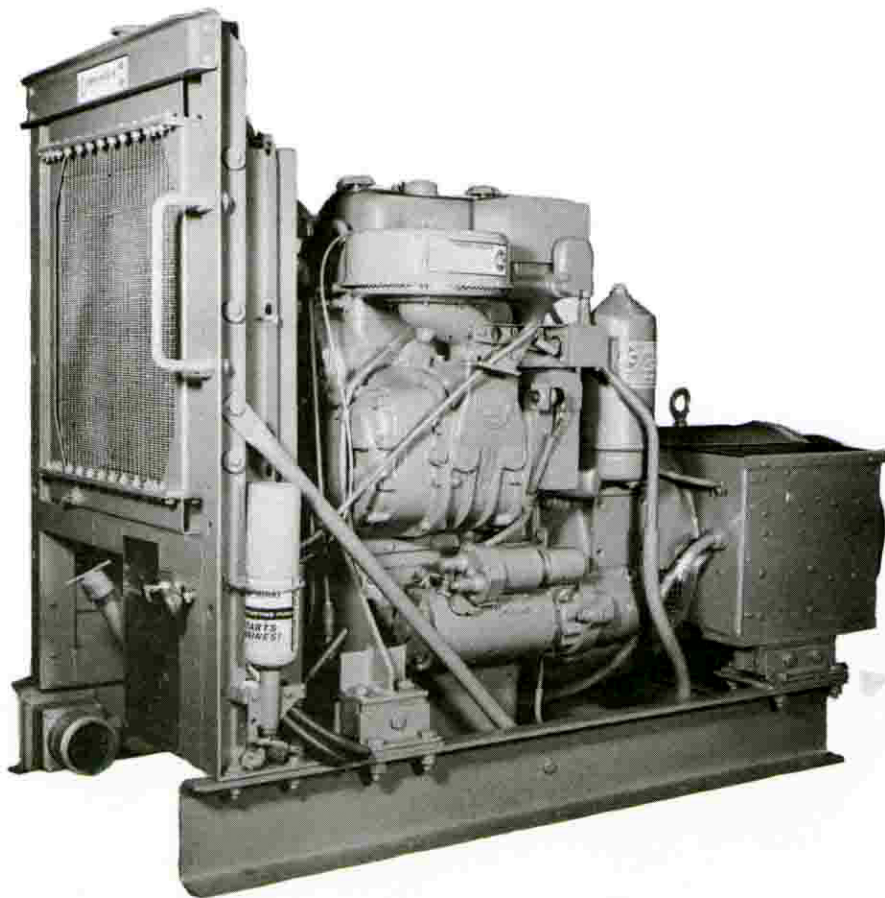


FIGURE 4 EDI

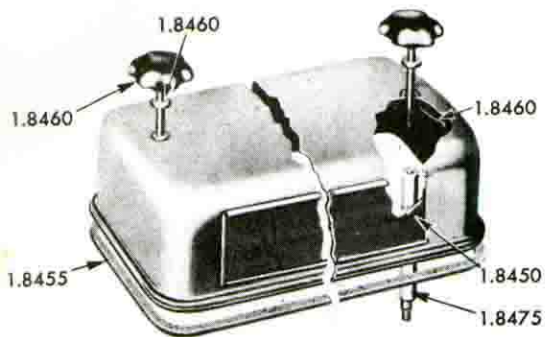


FIG. 1 - ROCKER COVER

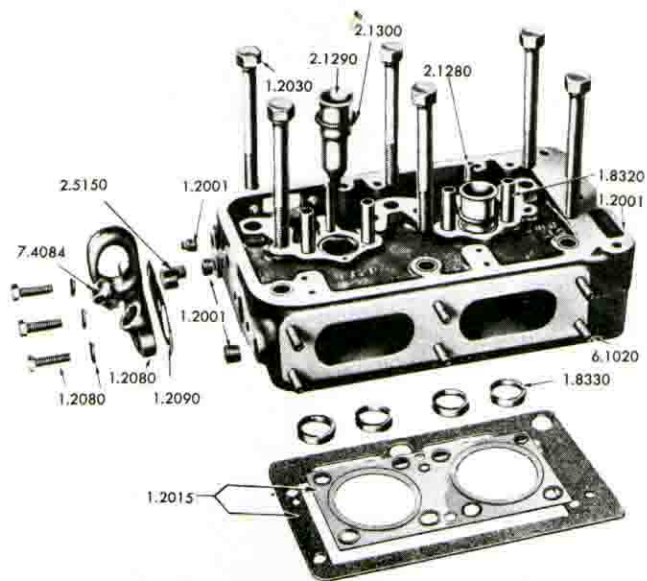


FIG. 2 - CYLINDER HEAD

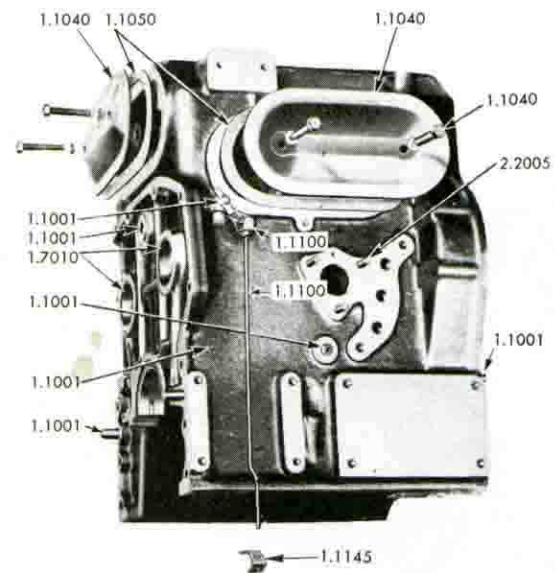


FIG. 3 - CYLINDER BLOCK

FIG. NO.	ITEM NO.	NAME AND DESCRIPTION	MFG. PART NUMBER	CUSTOMER STOCK NUMBER	QTY.
CYLINDER BLOCK					
3	1.1001	Block Assy., (main bearing caps, cylinder head bolts, cam roller guides and cylinder block plugs).	5189873		1
-	1.1001	Plug, 1/8" pipe.....	5145009		4
3	1.1001	Plug, 1/4" pipe.....	5145010		4
3	1.1001	Plug, 1/2" pipe.....	5115214		6
-	1.1001	Plug, 1 1/4" pipe.....	144017		1
-	1.1001	Dowel, to flywheel housing.....	5151576		2
3	1.1001	Dowel, to front cover.....	5156150		2
3	1.1001	Draincock, 1/4".....	103647		1
-	1.1002	Gasket Kit, (complete engine overhaul).....	5192434		AR
3	1.1040	Cover, block hand hole.....	5154221		2
3	1.1040	Bolt, 3/8"-16x1 7/8".....	179846		4
-	1.1040	Gasket, 3/8" copper.....	105451		4
3	1.1050	Gasket, hand hole cover.....	5152288		2
AIR BOX DRAINS					
3	1.1100	Tube Assy., (L. 15 1/8").....	5186131		1
3	1.1100	Elbow, 5/16" inv. fl. tube 90°.....	137422		1
-	1.1100	Nipple (3/8"x1/4" pipe).....	5158656		1
-	1.1100	Bushing, 3/4"x1/2" reducing.....	144034		1
-	1.1130	Hose (5/16" I.D.x13").....	5186152		1
3	1.1145	Clip, drain tube.....	5152640		1
CYLINDER HEAD					
2	1.2001	Head Assy., (includes plugs, water nozzles, valve guides and inserts, injector studs, tubes and seal rings and exhaust manifold studs).....	5189858		1
2	1.2001	Plug, 1/4" pipe.....	5121182		2
2	1.2001	Plug, 3/8" pipe.....	5145014		3
-	1.2002	Gasket Kit, (cyl. head replacement).....	5192433		AR
2	1.2015	Gasket Set, (one compression and one seal gasket)..	5192432		1
2	1.2030	Bolt, (5 1/8" L., counterbored hole).....	5189841		6
2	1.2030	Bolt, (4 3/4" L., plain hole).....	5152149		6
ENGINE LIFTER BRACKET					
2	1.2080	Bracket.....	5154283		1
2	1.2080	Bolt, 7/16"-14x1 1/4".....	180147		1
2	1.2080	Bolt, 7/16"-14x1 5/8".....	186626		2
2	1.2080	Lockwasher, 7/16".....	103322		3
2	1.2090	Gasket.....	5154290		1
ROCKER COVER					
-	1.8450	Cover Assy., (plain) Type 12.....	5178396		1
-	1.8450	Cover Assy., (with filler) Type 11.....	5178397		1
-	1.8455	Gasket, rocker cover.....	5144484		1
1	1.8460	Bolt, rocker cover.....	5169388		2
1	1.8460	Washer, rocker cover.....	5150333		2
1	1.8460	Pin, 1/8"x1" cotter.....	103385		2
1	1.8475	Stud, rocker cover.....	5157192		2
-	1.8480	Cap, oil filler.....	60106ED		1

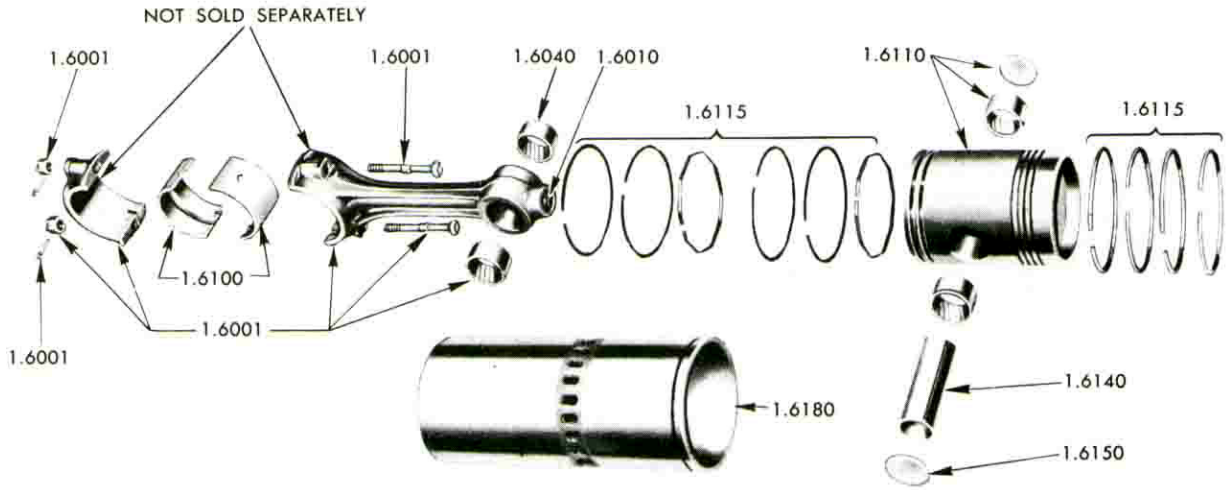


FIG. 4 – CONNECTING ROD, PISTON AND LINER

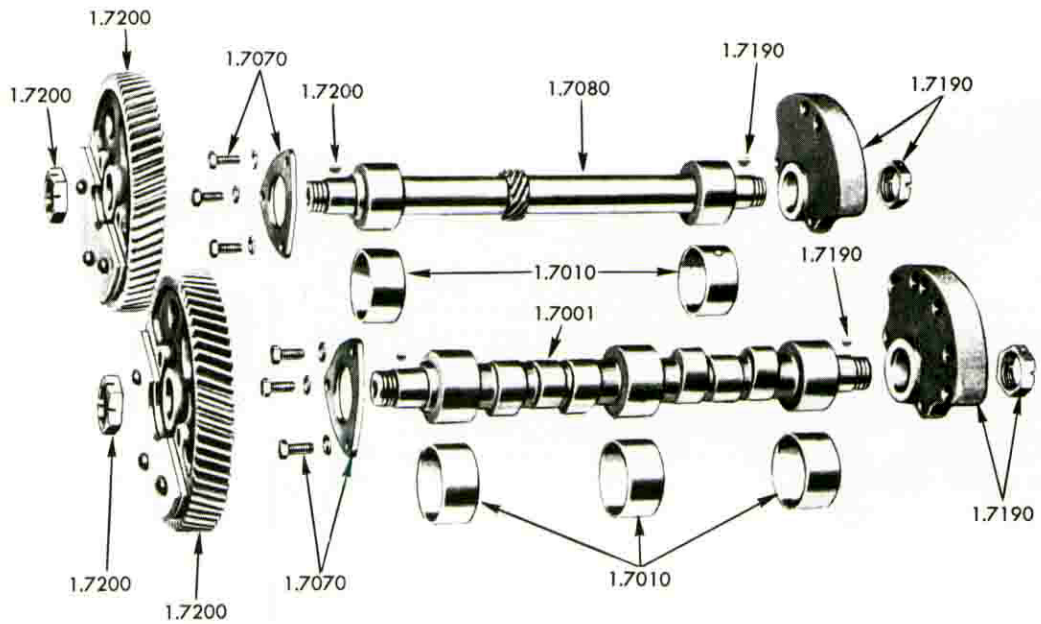


FIG. 5 – CAMSHAFT AND GEAR TRAIN



FIG. NO.	ITEM NO.	NAME AND DESCRIPTION	MFG. PART NUMBER	CUSTOMER STOCK NUMBER	QTY.
CONNECTING ROD AND PISTON					
4	1.6001	Rod Assy., (cap which is not sold separately).....	5135515		2
4	1.6001	Bolt, connecting rod.....	5125036		4
4	1.6001	Nut, connecting rod.....	5117629		4
4	1.6001	Pin, 3/32"x3/4" cotter.....	103373		4
4	1.6010	Nozzle, spray.....	5150140		2
4	1.6100	Shell Set, (standard)	5192895		2
4	1.6100	Shell Set, (.002" U.S.) (one upper and	5192896		AR
4	1.6100	Shell Set, (.010" U.S.) one lower shell).....	5192897		AR
4	1.6100	Shell Set, (.020" U.S.)	5192898		AR
4	1.6100	Shell Set, (.030" U.S.)	5192899		AR
4	1.6110	Piston Assy. (standard)	5189054		2
4	1.6110	Piston Assy. (.010" O.S.) (bushings and piston	5189055		AR
4	1.6110	Piston Assy. (.020" O.S.) pin retainers).....	5189056		AR
4	1.6110	Piston Assy. (.030" O.S.)	5189057		AR
4	1.6115	Ring Set, (standard)	5193477		2
4	1.6115	Ring Set, (.010" O.S.) (rings for one	5193648		AR
4	1.6115	Ring Set, (.020" O.S.) cylinder).....	5193649		AR
4	1.6115	Ring Set, (.030" O.S.)	5193650		AR
4	1.6140	Pin, piston (standard).....	5188406		2
4	1.6140	Pin, piston (.010" O.S.).....	5194543		AR
4	1.6150	Retainer, (standard).....	5188405		4
4	1.6180	Liner, (standard).....	5188868		2
4	1.6180	Liner, (.005" O.S. on O.D.).....	5194448		AR
4	1.6180	Liner, (.010" O.S. on O.D.).....	5194449		AR
4	1.6180	Liner, (.020" O.S. on O.D.).....	5194450		AR
4	1.6180	Liner, (.030" O.S. on O.D.).....	5194451		AR
-	1.6182	Cylinder Kit (one standard size liner, one piston assy., one piston pin and one ring set).....	5194496		AR
CAMSHAFT AND GEAR TRAIN					
5	1.7001	Camshaft.....	5189859		1
5	1.7010	Bearing, (standard 1 1/2" W.).....	5194609		5
5	1.7010	Bearing, (.015" U.S., 1 1/2" W.).....	5194610		AR
5	1.7010	Bearing, (.030" U.S., 1 1/2" W.).....	5194611		AR
5	1.7070	Plate, cam and balancer shaft.....	5152192		2
5	1.7070	Bolt, 5/16"-18x3/4".....	179816		6
-	1.7070	Lockwasher, 5/16".....	103320		6
5	1.7080	Shaft, balancer.....	5189846		1
5	1.7190	Weight, rear balancer.....	5152429		2
5	1.7190	Key, 3/16"x3/4" woodruff.....	124549		2
5	1.7190	Nut, balancer weight.....	5154685		2
5	1.7200	Gear, camshaft (R.H. helix).....	5170205		1
5	1.7200	Gear, balancer shaft (L.H. helix).....	5170206		1
5	1.7200	Nut, gear retaining.....	5154685		2
5	1.7200	Key, 3/16"x3/4" woodruff.....	124549		2



**Pocatello, Idaho 83201**  
**1-800-387-4972**

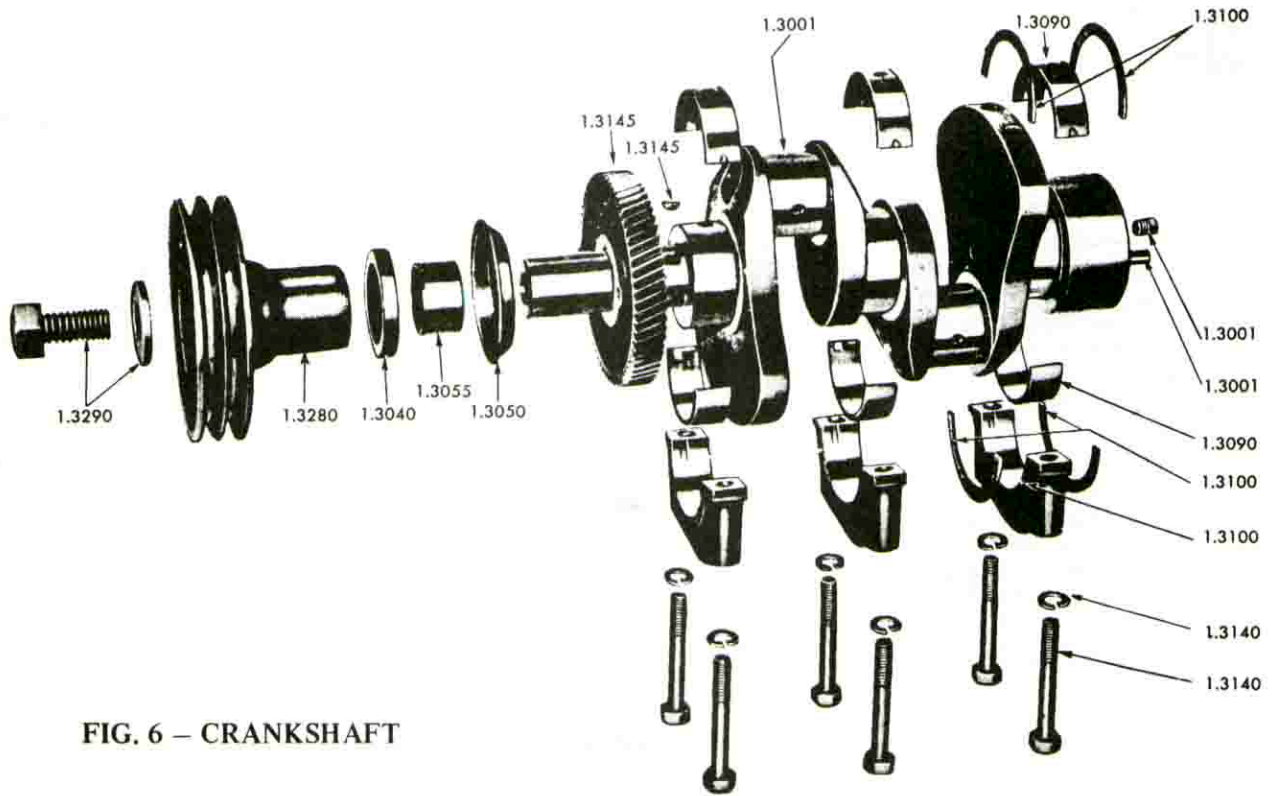


FIG. 6 – CRANKSHAFT

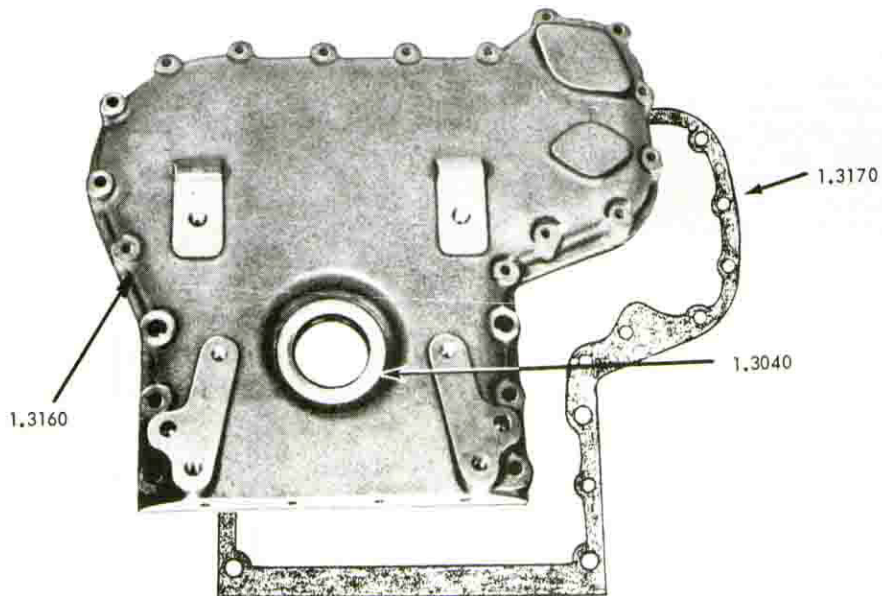


FIG. 7 – CRANKSHAFT FRONT COVER

FIG. NO.	ITEM NO.	NAME AND DESCRIPTION	MFG. PART NUMBER	CUSTOMER STOCK NUMBER	QTY.
CRANKSHAFT					
6	1.3001	Crankshaft Assy. (includes dowel).....	5154188		1
6	1.3001	Plug, 1/4" pipe.....	5145010		1
6	1.3001	Dowel, crankshaft.....	5177528		2
6	1.3040	Seal, front oil.....	5154315		1
6	1.3050	Slinger, (front).....	5154317		1
6	1.3055	Spacer, front oil seal.....	5154316		1
-	1.3060	Seal, rear crankshaft (std.).....	5114335		1
-	1.3060	Seal, rear crankshaft (O.S.).....	5197860		1
-	1.3060	Sleeve, (O.S.), Seal.....	5198908		1
-	1.3066	Sleeve, rear oil seal.....	5114335		1
6	1.3090	Shell Set, (standard).....	5192874		3
6	1.3090	Shell Set, (.002" U.S.).....	5192875		AR
6	1.3090	Shell Set, (.010" U.S.).....	5192876		AR
6	1.3090	Shell Set, (.020" U.S.).....	5192877		AR
6	1.3090	Shell Set, (.030" U.S.).....	5192878		AR
6	1.3100	Washer, thrust (standard).....	5159353		4
6	1.3100	Washer, thrust (.005" U.S.).....	5160542		AR
6	1.3100	Washer, thrust (.010" U.S.).....	5192111		AR
6	1.3100	Pin, 3/16"x1/2" dowel.....	141346		4
6	1.3140	Bolt, main bearing cap (5 1/8" L.).....	5170200		6
6	1.3140	Lockwasher, 5/8".....	103334		6
6	1.3145	Gear, crankshaft timing.....	5136015		1
6	1.3145	Key, 1/4"x7/8" woodruff.....	112139		1
CRANKSHAFT FRONT COVER					
7	1.3160	Cover Assy., crankshaft front (includes oil seal 5154315).....	5194802		1
-	1.3160	Bolt, 5/16"-18x2".....	179826		11
-	1.3160	Bolt, 5/16"-18x4 3/4".....	186650		1
-	1.3160	Bolt, 3/8"-16x2".....	180130		1
-	1.3160	Bolt, 3/8"-24x5 1/2".....	186658		2
-	1.3160	Bolt, 7/16"-14x2".....	427570		4
-	1.3160	Bolt, 7/16"-14x2 1/4".....	179867		2
-	1.3160	Washer 7/16" flat.....	103342		AR
-	1.3160	Lockwasher, 5/16".....	103320		AR
-	1.3160	Lockwasher, 3/8".....	103321		AR
-	1.3160	Nut, 3/8"-24 hex.....	117049		2
7	1.3170	Gasket, crankshaft front cover.....	5156192		1
-	1.3175	Cover, crankshaft front cover governor hole.....	5155901		1
-	1.3175	Bolt, 5/16"-18x3/4".....	179816		2
-	1.3175	Lockwasher, 5/16".....	103320		2
-	1.3177	Gasket, crankshaft front cover governor hole cover.....	3222141		1
-	1.3195	Cover, crankshaft front cover small hole.....	5155815		1
-	1.3195	Bolt, 5/16"-18x3/4".....	179816		2
-	1.3195	Lockwasher, 5/16".....	103320		2
-	1.3196	Gasket, crankshaft front cover small hole cover....	5155816		1
CRANKSHAFT PULLEY					
6	1.3280	Pulley, (8 1/2") (two groove).....	5166834		1
-	1.3280	Key, 3/8"x1 1/4" woodruff.....	117982		1
6	1.3290	Retainer, pulley (1 1/2" O.D.).....	5164160		1
6	1.3290	Bolt, pulley retainer (2 1/4" L.).....	5153623		1



**Pocatello, Idaho 83201**  
**1-800-387-4972**

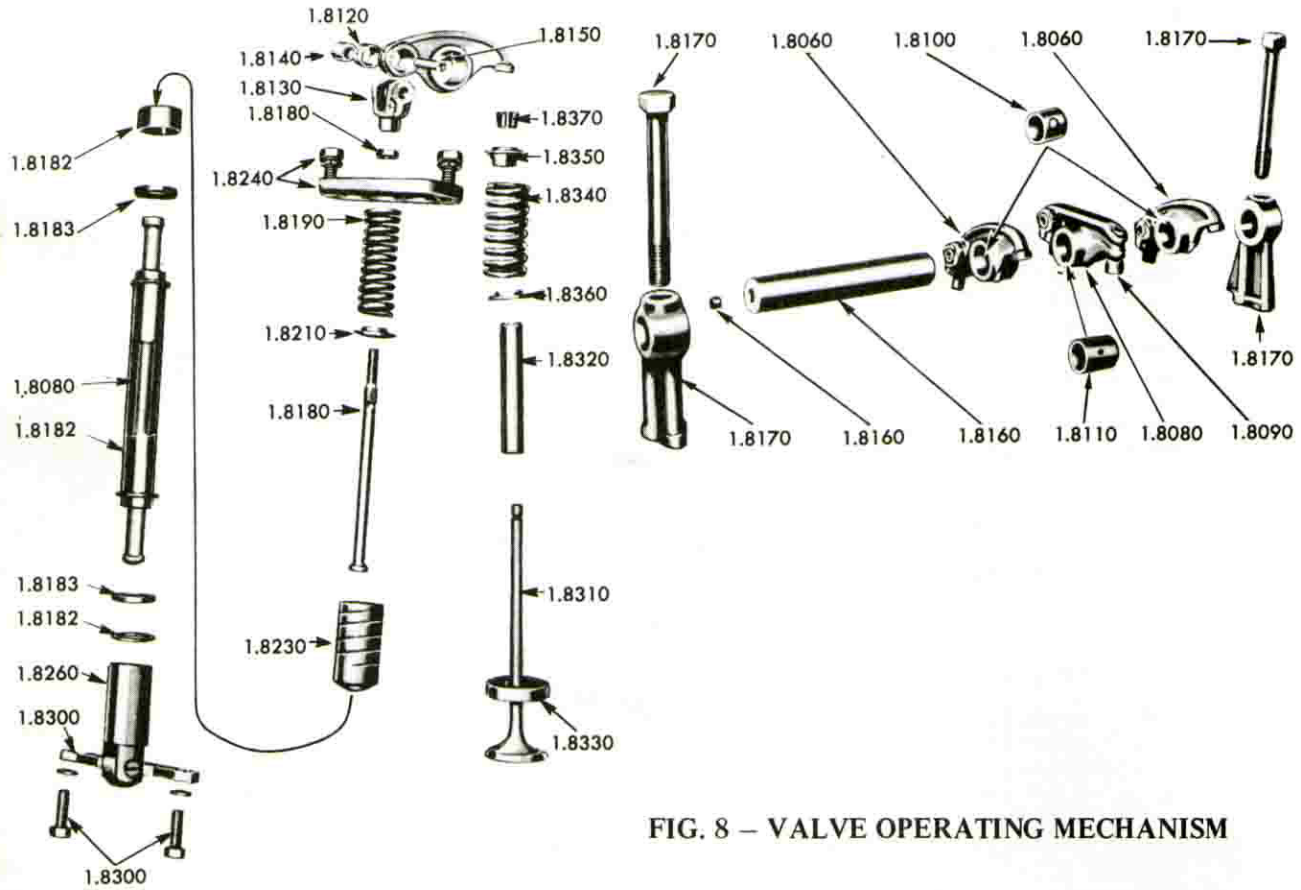


FIG. 8 – VALVE OPERATING MECHANISM

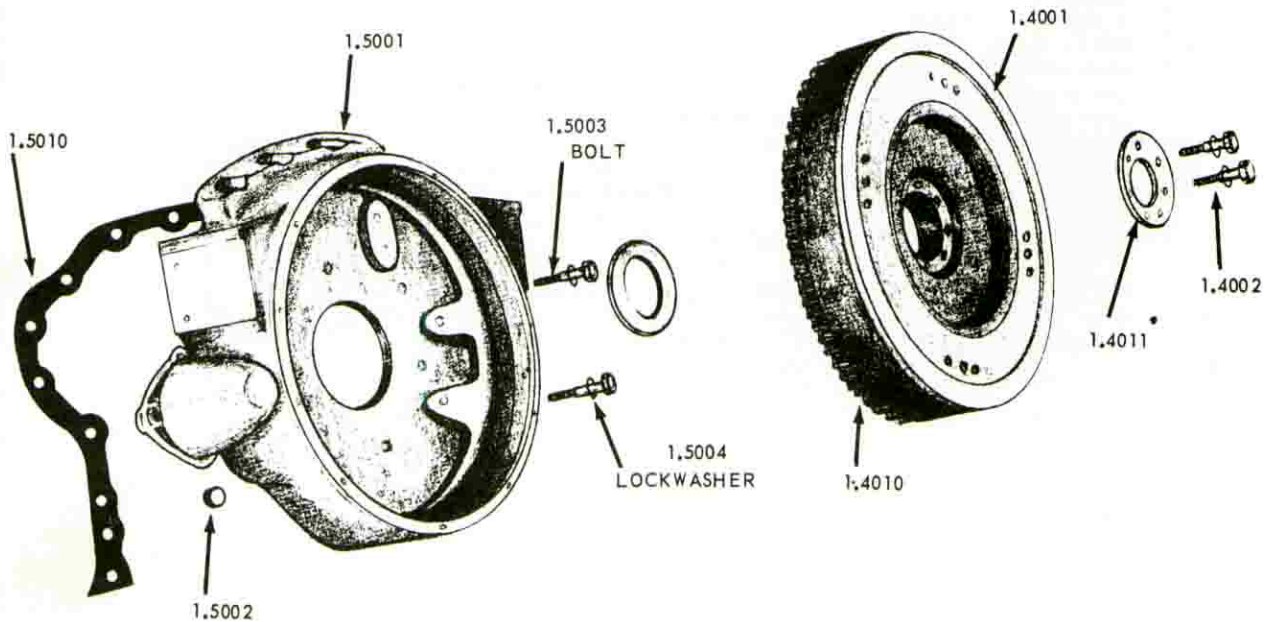


FIG. 9 – FLYWHEEL AND FLYWHEEL HOUSING

FIG. NO.	ITEM NO.	NAME AND DESCRIPTION	MFG. PART NUMBER	CUSTOMER STOCK NUMBER	QTY.
VALVE OPERATING MECHANISM					
8	1.8060	Arm Assy., exhaust rocker	5150304		2
8	1.8060	Arm Assy., exhaust rocker (Bushings, clevis	5150305		2
8	1,8080	Arm Assy., injector rocker and clevis pins).	5179954		2
8	1.8100	Bushing, exhaust rocker arm (large).....	5122445		4
8	1.8110	Bushing, injector rocker arm (large).....	5150318		2
8	1.8120	Bushing, injector and exhaust rocker arm (small)...	5150311		6
8	1.8130	Clevis, injector and exhaust rocker arm.....	5150312		6
8	1.8140	Bushing, injector and exhaust rocker arm clevis....	5123700		6
8	1.8150	Pin, injector and exhaust rocker arm clevis.....	5150314		6
8	1.8160	Shaft Assy., rocker arm.....	5150322		2
8	1.8170	Bracket, rocker shaft.....	5150324		4
8	1.8170	Bolt, bracket.....	5150325		4
8	1.8180	Rod, push (upper).....	5128640		6
8	1.8180	Rod, push (lower).....	5178290		6
8	1.8180	Locknut, push rod.....	5151601		6
8	1.8182	Cover, push rod.....	5154475		6
8	1.8182	Plug, cover.....	5154537		6
8	1.8182	Washer, cover.....	5154538		6
8	1.8183	Seal, push rod.....	5154472		12
8	1.8190	Spring, push rod.....	5186858		6
8	1.8210	Seat, spring.....	5123250		6
8	1.8230	Seat, push rod.....	5154539		6
8	1.8240	Retainer, spring.....	5152440		2
8	1.8240	Bolt, 3/8"-16x1".....	179839		4
-	1.8240	Lockwasher, 3/8".....	103321		4
8	1.8260	Follower Assy., cam.....	5115087		6
-	1.8265	Roller Set, cam follower (roller with bushing and pin).....	5195220		6
8	1.8300	Guide, cam follower (1 5/32" bolt).....	5189842		2
8	1.8300	Guide, cam follower (3 5/16" bolt).....	5154426		2
8	1.8300	Bolt, 5/16"-18x7/8".....	186625		4
8	1.8300	Lockwasher, 5/16".....	103320		4
8	1.8310	Valve, exhaust (includes locks).....	5193197		4
8	1.8320	Guide, (standard).....	5120930		4
8	1.8320	Guide, (.016" O.S. on O.D.).....	5192717		AR
8	1.8330	Insert, (standard).....	5131096		4
8	1.8330	Insert, (.010" O.S.).....	5198230		AR
8	1.8340	Spring, exhaust valve.....	5150289		4
8	1.8350	Cap, spring.....	5150291		4
8	1.8360	Seat, spring.....	5150292		4
8	1.8370	Lock, spring (halves).....	838029		8
FLYWHEEL					
9	1.4001	Flywheel Assy. (includes ring gear).....	5185925		1
9	1.4002	Bolt, (2 7/8" long).....	9410925		6
-	1.4003	Lockwire.....	5151241		3
9	1.4010	Gear ring.....	5188030		1
9	1.4011	Plate, scuff.....	5120753		1
FLYWHEEL HOUSING					
9	1.5001	Housing Assy.....	5141145		1
9	1.5002	Plug, 1" pipe.....	5111798		1
9	1.5003	Bolt, 7/16"-14x2".....	427570		11
9	1.5004	Lockwasher, 7/16".....	103322		11
9	1.5010	Gasket housing.....	5152525		1

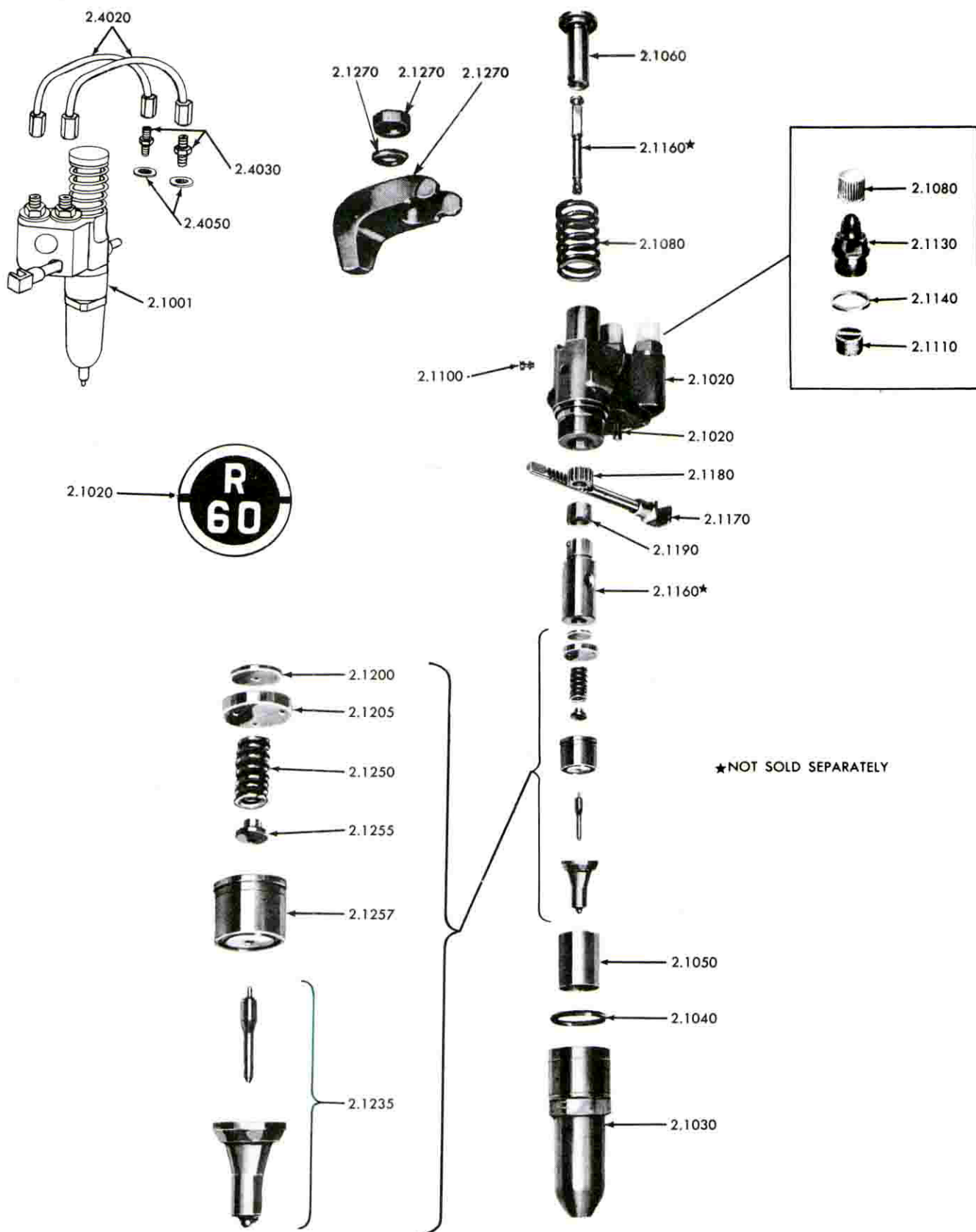


FIG. 10 - FUEL INJECTOR

FIG. NO.	ITEM NO.	NAME AND DESCRIPTION	MFG. PART NUMBER	CUSTOMER STOCK NUMBER	QTY.
		FUEL INJECTOR			
10	2.1001	Injector R-60 .....	5229225		2
-	2.1002	Overhaul Kit, (1 seal ring, 2 filter cap gaskets, 2 filter elements and 2 shipping caps) .....			
			5228701		
10	2.1020	Body Assy., (includes dowel) .....	5229233		2
10	2.1020	Dowel, injector body .....	5226416		2
10	2.1020	Tag, injector number .....	5229234		2
10	2.1030	Nut, injector valve .....	5228601		2
10	2.1040	Ring, injector seal .....	5226564		2
10	2.1050	Deflector, injector spill .....	5228109		2
10	2.1060	Follower, injector .....	5228104		2
10	2.1080	Spring, injector plunger .....	5228292		2
10	2.1100	Pin, injector stop .....	5228608		2
10	2.1110	Element, injector filter .....	5228587		4
10	2.1130	Cap, injector filter .....	5228588		4
10	2.1140	Gasket, injector filter cap .....	5226186		4
10	2.1150	Cap, (injector shipping) .....	5226414		AR
10	2.1160	Plunger and Busing Assy. (R-60) .....	5228656		2
-	2.1165	Pin, plunger and busing guide .....	5226393		2
10	2.1170	Rack Assy., injector .....	5226719		2
10	2.1180	Gear, injector .....	5226400		2
10	2.1190	Retainer, injector gear .....	5228586		2
10	2.1200	Valve, injector check .....	5228694		2
10	2.1205	Cage Injector check valve .....	5228696		2
10	2.1235	Tip, injector spray (HV-6) .....	5229026		2
10	2.1250	Spring, injector valve .....	5228596		2
10	2.1255	Seat, injector valve spring .....	5228766		2
10	2.1257	Cage, injector valve .....	5228594		2
10	2.1270	Clamp, injector .....	5111335		2
10	2.1270	Capscrew .....	179847		2
10	2.1270	Washer - bevel .....	5150250		2
2	2.1290	Tube, injector hole .....	5199527		2
2	2.1300	Ring, injector hole tube seal .....	5160037		2

FUEL MANIFOLD CONNECTIONS

10	2.4020	Pipe Assy., fuel (inlet and outlet) .....	5154013		4
10	2.4030	Connector, fuel pipe .....	5152138		4
10	2.4050	Washer, fuel pipe connector .....	5152148		4

**EMERSON**  
2-71 GENERATORS

**Pocatello, Idaho 83201**  
**1-800-387-4972**

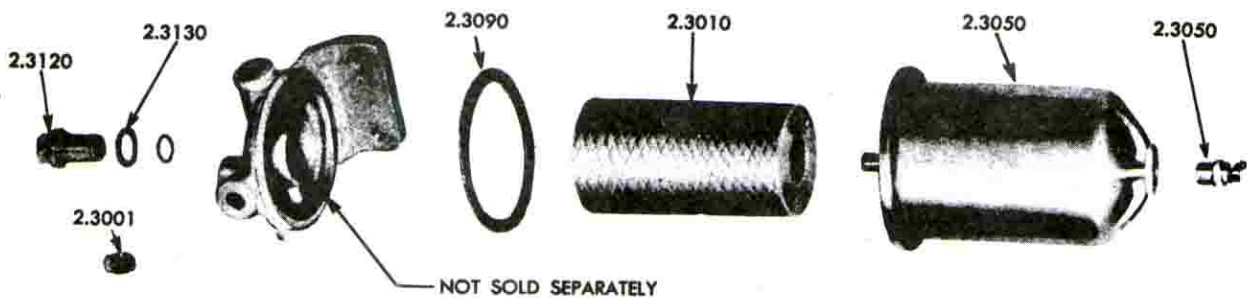


FIG. 11 – FUEL FILTER (PRIMARY)

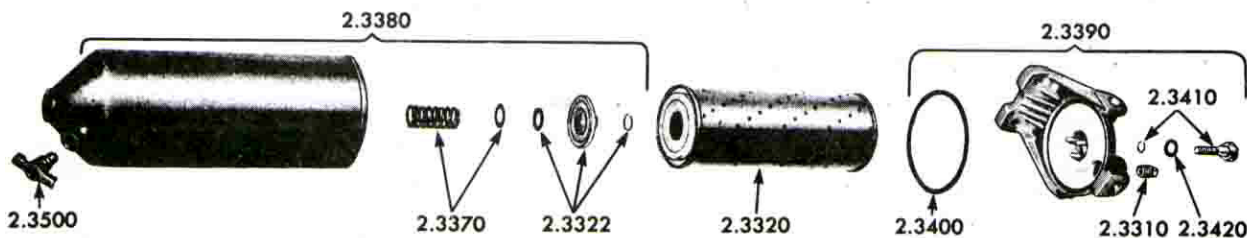


FIG. 12 – FUEL FILTER (SECONDARY)

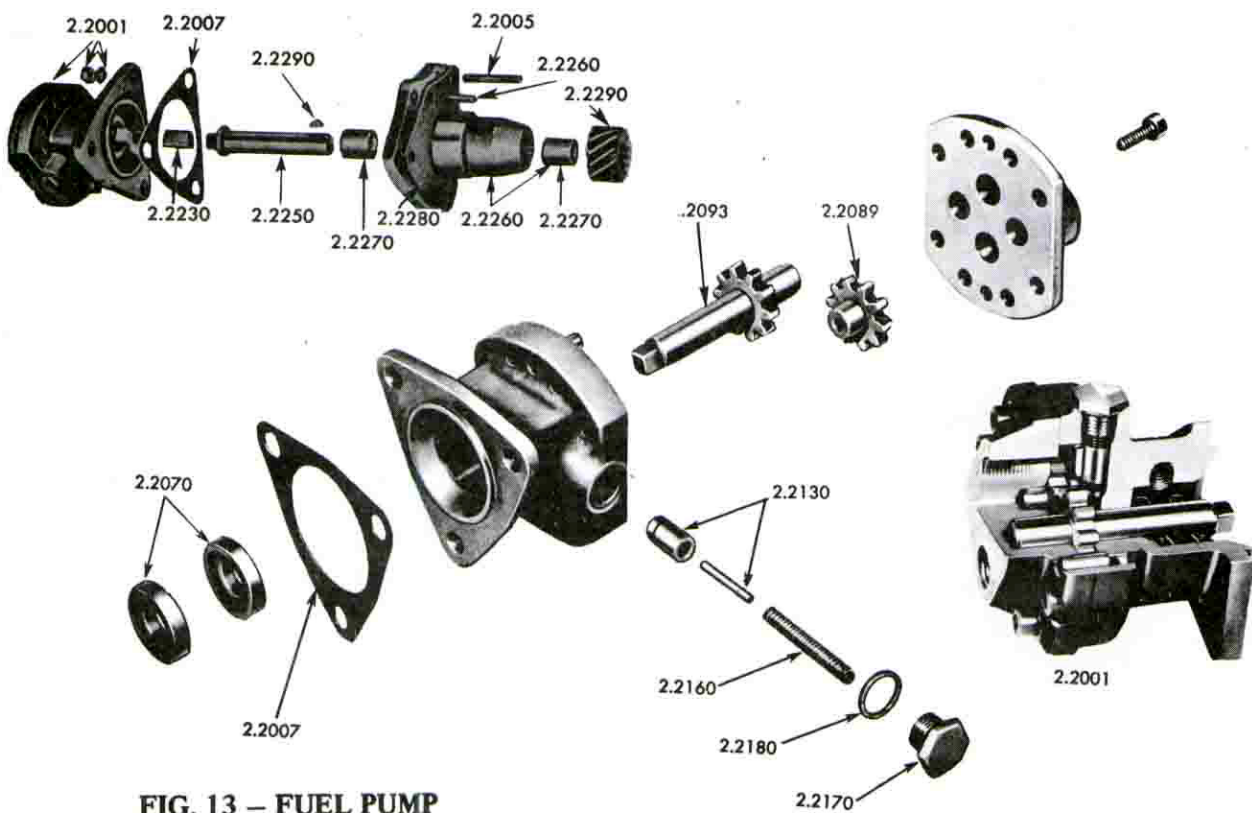


FIG. 13 – FUEL PUMP



FIG. NO.	ITEM NO.	NAME AND DESCRIPTION	MFG. PART NUMBER	CUSTOMER STOCK NUMBER	QTY.
FUEL PUMP					
13	2.2001	Pump Assy. ....	5198318		1
	2.2001	Bushing, 3/8 x 1/4 pipe .....	20.034ED		1
13	2.2001	Lockwasher, 5/16" .....	103320		3
13	2.2001	Nut, 5/16" - 24 hex. ....	121917		3
13	2.2005	Stud, fuel pump .....	5152121		3
13	2.2007	Gasket, fuel pump to blower .....	5150193		1
13	2.2070	Seal, fuel pump oil .....	5230007		2
13	2.2089	Shaft and Gear Assy., fuel pump driver .....	5181747		1
13	2.2093	Shaft and Gear Assy., fuel pump drive .....	5181746		1
13	2.2130	Valve, fuel pump .....	5174973		1
13	2.2130	Pin, 5/32" x 1" straight .....	103709		1
13	2.2160	Spring, fuel pump valve .....	5184530		1
13	2.2170	Plug, fuel pump valve .....	5174971		1
13	2.2180	Gasket, fuel pump valve plug .....	5161003		1
13	2.2230	Coupling, fuel pump drive .....	5154216		1
13	2.2250	Shaft, fuel pump drive .....	5154218		1
13	2.2260	Adaptor Assy., fuel pump drive (pin and bushing) ....	5154217		1
13	2.2260	Pin, 5/32" x 1/2" groove .....	442922		1
13	2.2270	Bushing, fuel pump drive adaptor .....	5153616		2
13	2.2280	Gasket, fuel pump drive adaptor .....	5152122		1
13	2.2290	Gear, fuel pump drive .....	5154229		1
13	2.2290	Key, 1/8" x 1/2" Woodruff .....	106749		1
FUEL FILTERS					
11	2.3001	Filter Assy., primary (6") T-60 .....	20.014ED		1
11	2.3001	Bolt, 3/8" - 24 x 1 3/8" .....	181371		2
11	2.3001	Lockwasher, 3/8" .....	103321		2
11	2.3001	Nut, 3/8" - 24 .....	117049		2
11	2.3001	Plug, 1/4" .....	5145010		2
11	2.3010	Element, primary (6") T-553 .....	20.037ED		1
11	2.3050	Shell, primary filter .....	5577386		1
11	2.3050	Draincock, 1/4" .....	20.018ED		1
11	2.3090	Gasket, cover .....	5574161		1
11	2.3120	Bolt, cover .....	5575790		1
11	2.3130	Gasket, cover screw .....	1503536		1
-	2.3310	Decal, primary filter .....	12.010ED		1
12	2.3310	Filter Assy., secondary (8") T-73 .....	20.015ED		1
12	2.3310	Bolt, 3/8" - 24 x 1 3/4" .....	181377		2
12	2.3310	Lockwasher, 3/8" .....	103321		2
12	2.3310	Nut, 3/8" - 24 .....	117049		2
12	2.3310	Plug, 1/4" .....	5145010		2
12	2.3320	Element, secondary (8") TP-530 .....	20.039ED		1
-	2.3320	Element, secondary (8") R5B8TC Cotton Wound .....	20.033ED		1
12	2.3322	Seat, element .....	5574123		1
12	2.3322	Seal, element .....	5574126		2
12	2.3322	Ring, element seat .....	5574120		1
12	2.3370	Spring, element .....	5574124		1
12	2.3370	Seat, element .....	5574122		1
12	2.3380	Shell, secondary filter .....	5574119		1
12	2.3390	Cover Assy., shell .....	6436254		1
12	2.3400	Gasket, cover shell .....	5574161		1
12	2.3410	Screw, cover .....	5574118		1
12	2.3420	Gasket, cover screw .....	1503536		1
12	2.3500	Draincock, 1/4" .....	20.018ED		1
-	2.3500	Decal, secondary filter .....	12.011ED		1
14	2.3501	Draincock (Heavy Duty) .....	60169ED		2

# EMERSON GM DIESEL

FIG. NO.	ITEM NO.	NAME AND DESCRIPTION	MFG. PART NUMBER	CUSTOMER STOCK NUMBER	QTY.
FUEL PUMP DRAIN					
-	2.2300	Tube Assembly (4 1/4" Lg.) .....	5158825		1
-	2.2300	Elbow, 3/16" inverted Flare x 45° .....	127829		1
-	2.2300	Clip, Tube Assembly .....	5152640		1
FUEL LINES					
14	2.5000	Elbow, 3/8"x90° Brass Street, Weatherhead .....	60051ED		1
14	2.5001	Hose Assy., Fuel Supply to Primary Filter .....	60117ED		1
14	2.5002	Hose, 1/4" I.D.x25 1/4" Lg., Aeroquip .....	#6		1
14	2.5003	Connector, Brass Male, Aeroquip .....	60053ED		1
14	2.5004	Connector, Brass Female, Aeroquip .....	60049ED		3
14	2.5005	Elbow, 3/8"x90° Brass Street, Weatherhead .....	60051ED		1
14	2.5006	Nipple, 1/4"x2" Blk. Iron .....			1
14	2.5007	Valve Assy., Primary Filter to Pump Check, Weatherhead .....	60019ED		1
14	2.5008	Elbow, 3/8"x90° Blk. Iron .....			1
14	2.5009	Connector, 3/8" Male .....	20.006ED		3
14	2.5010	Nut, 3/8" .....	20.007ED		3
14	2.5011	Sleeve, 3/8" (Seal) .....	20.008ED		3
14	2.5009	Connector, 3/8" Male, .....	20.006ED		3
14	2.5010	Nut, 3/8" .....	20.007ED		3
14	2.5011	Sleeve, 3/8" (Seal) .....	20.008ED		3
14	2.5009	Connector, 3/8" Male, Detroit Diesel .....	20.006ED		3
14	2.5010	Nut, 3/8" .....	20.007ED		3
14	2.5011	Sleeve, 3/8" (Seal) .....	20.008ED		3
14	2.5012	Tube Assy., Primary Filter to Pump .....	60104ED		1
14	2.5013	Tube, 3/8" Bundy, Primary Filter to Pump .....	20.001ED		1
14	2.5014	Nut, 3/8" .....	20.007ED		4
14	2.5015	Sleeve, 3/8" (Seal) .....	20.008ED		4
14	2.5016	Elbow, 3/8"x90° Male .....	20.009ED		4
14	2.5014	Nut, 3/8" .....	20.007ED		4
14	2.5015	Sleeve, 3/8" (Seal) .....	20.008ED		4
14	2.5016	Elbow, 3/8"x90° Male .....	20.009ED		4
14	2.5014	Nut, 3/8" .....	20.007ED		4
14	2.5015	Sleeve, 3/8" (Seal) .....	20.008ED		4
14	2.5016	Elbow, 3/8"x90° Male .....	20.009ED		4
14	2.5017	Tube Assy., Pump to Secondary Filter .....	60105ED		1
14	2.5018	Tube, 3/8" Bundy, Pump to Secondary Filter .....	60074ED		1
14	2.5019	Tube Assy., Secondary Filter to Engine .....	20.023ED		1
14	2.5020	Tube, 3/8" Bundy, Secondary Filter to Engine .....	60052ED		1
14	2.5021	Tube Assy., Engine to Fuel Supply .....	20.024ED		1
14	2.5022	Tube, 3/8" Bundy, Engine to Connector (250x6) .....	60076ED		1
14	2.5023	Fitting, Flare Nut Imperial Eastman .....	41-W		1
14	2.5024	Connector, 1/4" Female, Weatherhead .....	20.019ED		1
14	2.5025	Fitting, Restricted, Weatherhead .....	60050ED		1
14	2.5026	Fitting, Brass, Aeroquip .....	20.020ED		1
14	2.5027	Hose Assy. Fuel Return .....	60120ED		1
14	2.5028	Hose, 1/4" I.D.x21 3/4" Lg. Aeroquip .....	#6		1
14	2.5029	Clip, (7/8" Lg.) Clamp (Butterfly) .....	20.013ED		1
14	2.5030	Capscrew, 10-24x1/2" Hex. Hd. .....			2
14	2.5031	Washer, #10 Lock .....			2
14	2.5032	Clip, Clamp (inlet Tube to Outlet Tube) (Butterfly) .....	20.013ED		1
14	2.5033	Return fuel line Assy. - complete .....	20.042ED		1

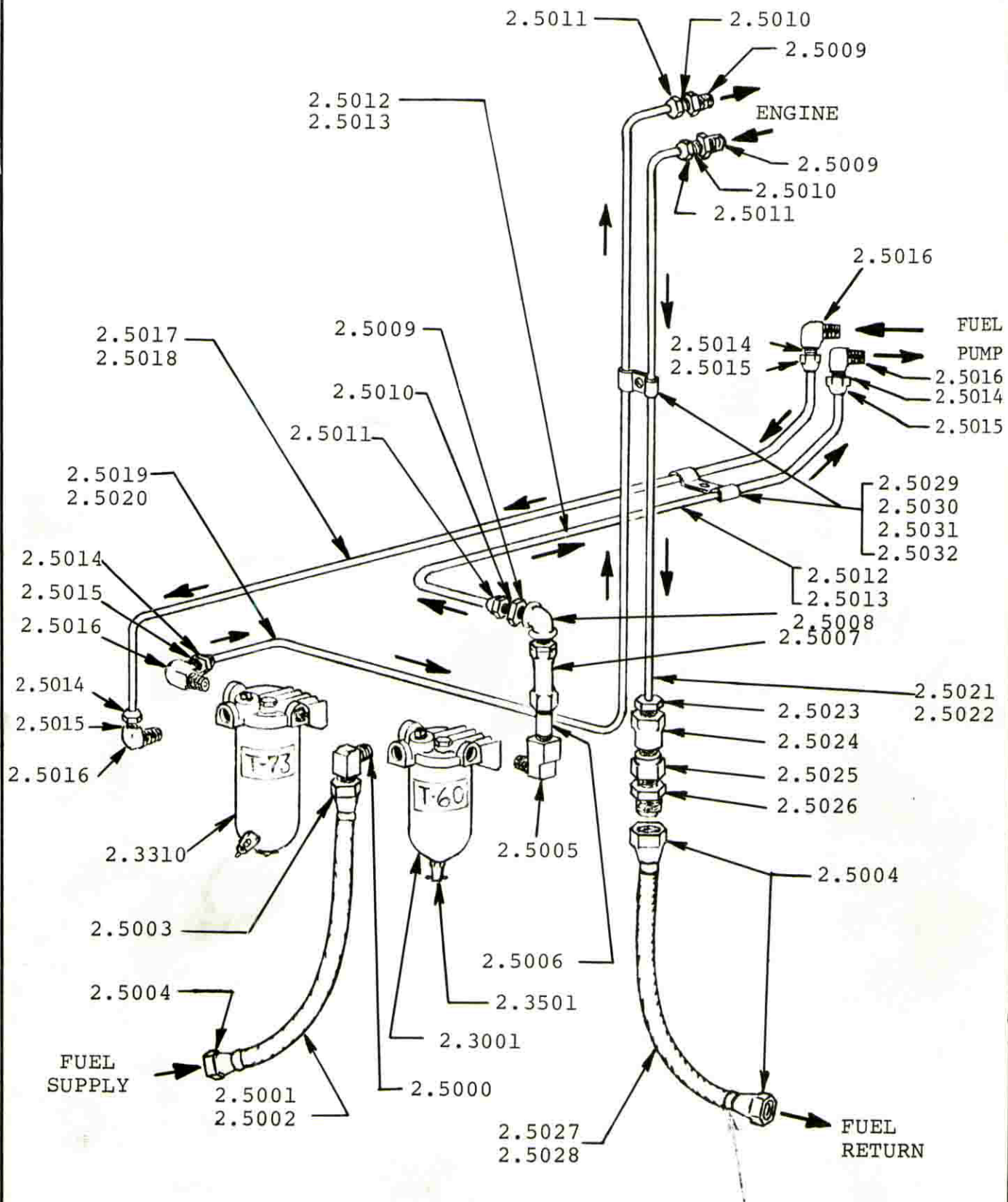


FIG. 14 -

FUEL LINES & FUEL FILTERS

COMPLETE ASSEMBLY  
ENGINE TO RETURN  
ITEM # 2.5033

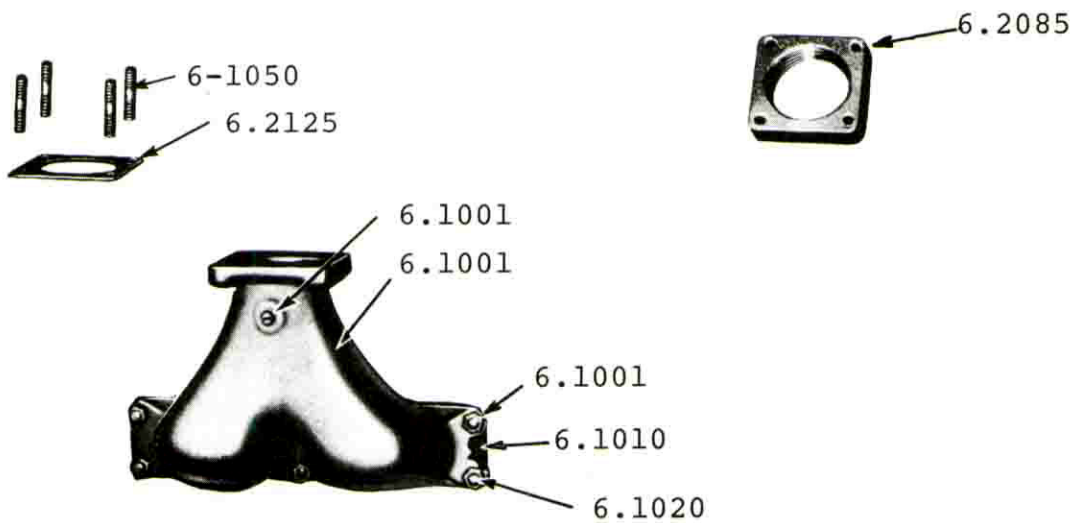


FIG. 14A - EXHAUST MANIFOLD & FLANGE



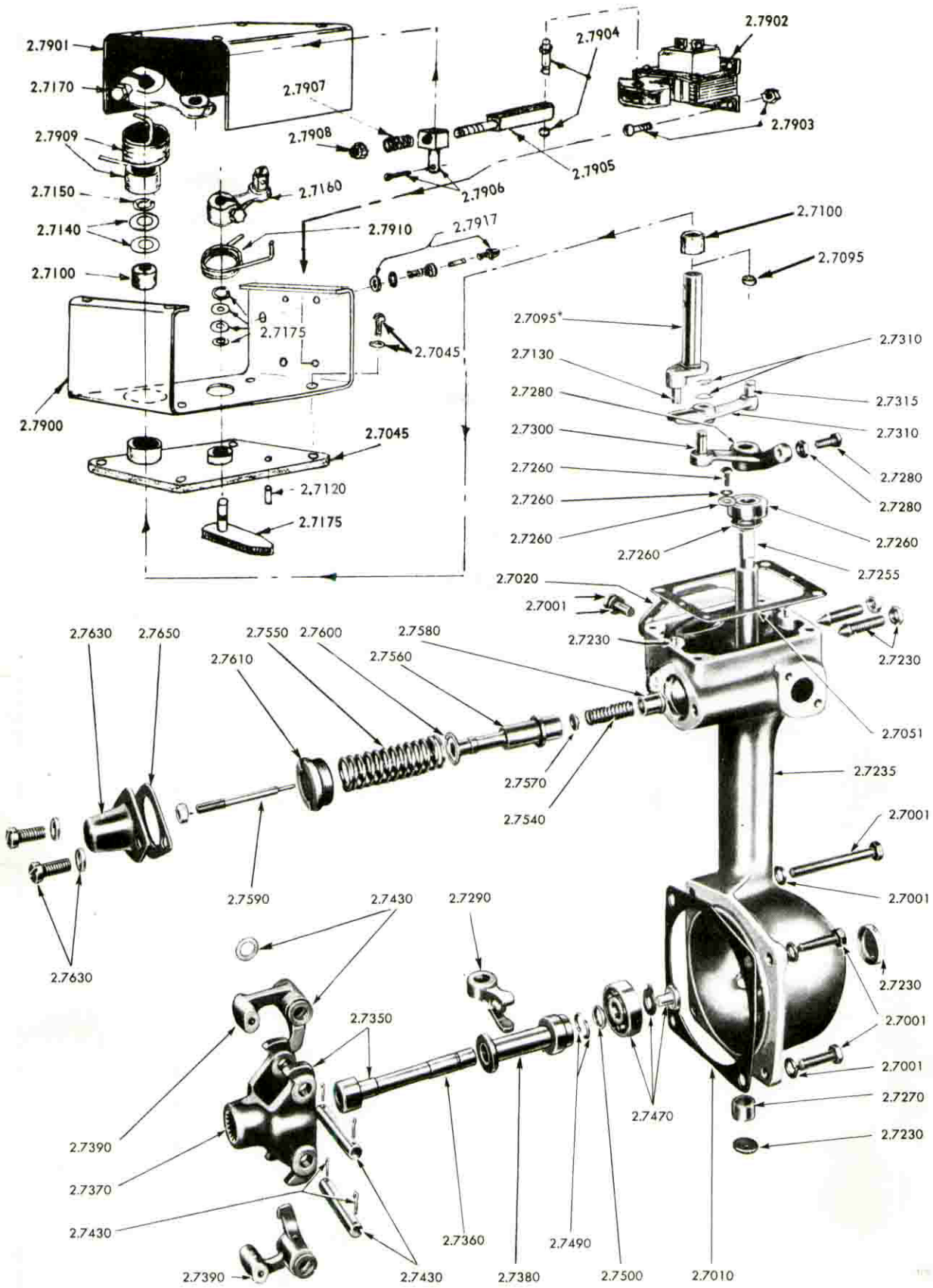


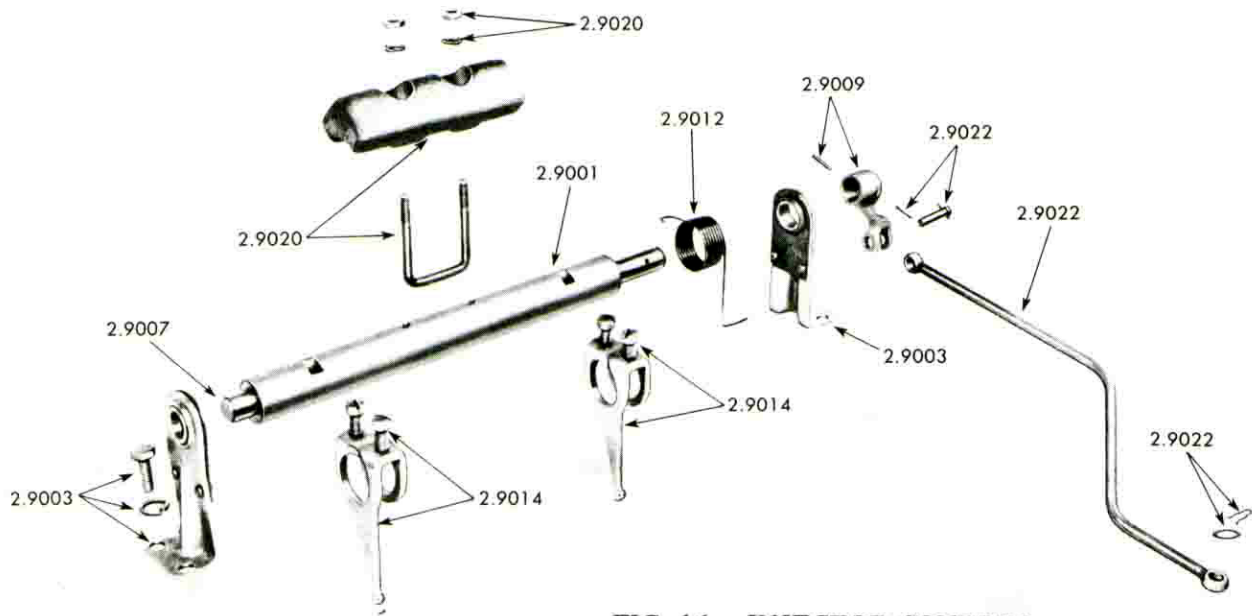
FIG. 15 - MECHANICAL GOVERNOR, TWO SPEED

FIG. NO.	ITEM NO.	NAME AND DESCRIPTION	MFG. PART NUMBER	CUSTOMER STOCK NUMBER	QTY.
		GOVERNOR - MECHANICAL - 2 SPEED			
15	2.7001	Governor Assy.....	5132691		1
15	2.7001	Bolt, 5/16"-18x1".....	186629		2
15	2.7001	Bolt, 5/16"-18x1 1/8".....	179819		3
15	2.7001	Bolt, 5/16"-18x2 7/8".....	123956		1
15	2.7001	Lockwasher, 5/16".....	103320		6
15	2.7010	Gasket, governor to blower.....	5152465		1
15	2.7020	Gasket, governor to cylinder head.....	5152464		1
15	2.7045	Cover Assy., governor.....	5110653		1
15	2.7045	Screw, 1/4"-20x3/4" fil. hd.....	132264		4
15	2.7045	Lockwasher, 1/4".....	103319		4
15	2.7051	Gasket, Governor cover.....	5150889		1
15	2.7095	Pin, 1/4"x5/8" dowel (shutdown level stop).....	141195		1
15	2.7095	Shaft Assy., governor cover throttle.....	5110661		1
15	2.7095	Pin, #1x7/8" taper.....	113500		1
15	2.7095	Plug, 1/8" pipe.....	5145009		1
15	2.7100	Bearing, throttle shaft.....	148402		2
15	2.7120	Pin, throttle shaft fulcrum lever.....	5174428		1
15	2.7140	Governor, throttle shaft washer.....	5153060		2
15	2.7150	Retainer, throttle shaft.....	5174429		1
15	2.7160	Lever, shutdown shaft.....	5183042		1
15	2.7170	Lever, throttle shaft.....	5167983		1
15	2.7170	Bolt, 1/4"-20x1".....	213546		2
15	2.7170	Lockwasher, 1/4".....	103319		2
15	2.7175	Cam, governor cover (shutdown shaft).....	5110659		1
15	2.7175	Seal ring, shutdown shaft.....	5182977		1
15	2.7175	Washer, governor cover cam.....	5151487		2
15	2.7175	Retainer.....	5178581		4
15	2.7230	Plug, 3/4" expansion.....	142656		4
15	2.7230	Plug, (1 1/8" diam.).....	5152462		4
15	2.7235	Housing, governor control.....	5154355		1
15	2.7255	Shaft, governor operating.....	5165545		1
15	2.7260	Bearing, operating shaft (upper).....	457187		1
15	2.7260	Washer, operating shaft bearing.....	5159080		2
15	2.7260	Screw, #10-24x7/16" rd. hd. sl.....	113903		1
15	2.7260	Washer, #10 flat.....	120391		1
15	2.7260	Lockwasher, #10 int. tooth.....	115545		1
15	2.7270	Bearing, operating shaft (lower).....	148402		1
15	2.7280	Lever, operating shaft (upper).....	5154403		1
15	2.7280	Screw (gap adj.).....	5150898		1
15	2.7280	Nut, 1/4"-28 hex.....	122161		1
15	2.7290	Fork, operating shaft (lower).....	5185605		1
15	2.7300	Pin, operating shaft lever.....	5150943		1
15	2.7310	Lever Assy., differential (includes pin).....	5110666		1
15	2.7310	Washer, differential lever.....	5150941		1
15	2.7310	Retainer, 13/64" (spring).....	142583		1
15	2.7315	Pin, differential lever.....	5110648		1
15	2.7350	Shaft and Carrier Assy., weight (includes shaft)...	5174493		1
15	2.7360	Shaft, weight carrier.....	5154235		1

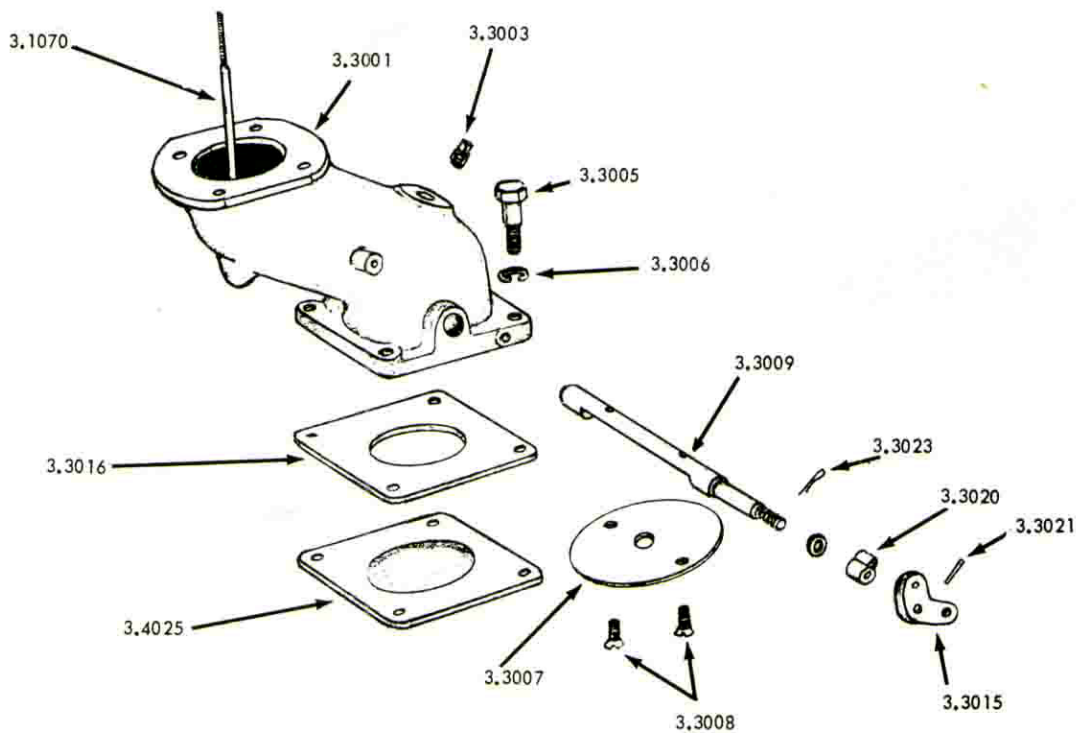
FIG. NO.	ITEM NO.	NAME AND DESCRIPTION	MFG. PART NUMBER	CUSTOMER STOCK NUMBER	QTY.
15	2.7370	Carrier weight shaft.....	5174492		1
15	2.7380	Riser, governor.....	5155571		1
15	2.7390	Weight assy., governor (includes bearing 447196)...	5174496		2
15	2.7430	Shaft, weight.....	5185153		2
15	2.7430	Washer, weight shaft.....	5151487		6
15	2.7430	Ring, weight shaft retainer.....	5178581		1
15	2.7390	Bearing, governor weight.....	447196		1
15	2.7470	Bearing, weight shaft end.....	907674		1
15	2.7470	Screw, bearing retainer.....	5150884		4
15	2.7470	Lockwasher, bearing retainer.....	5150897		4
15	2.7490	Key, weight shaft end bearing thrust.....	5152461		1
15	2.7500	Retainer, weight shaft end bearing thrust key.....	5152460		1
15	2.7540	Spring, low speed (green stripe).....	5151604		1
15	2.7550	Spring, high speed (white stripe).....	5152630		1
15	2.7560	Plunger, low speed spring.....	5126135		1
15	2.7570	Seat, low speed spring.....	5150892		2
15	2.7580	Cap, low speed spring.....	5150899		1
15	2.7590	Screw, low speed spring adjustment.....	5150891		2
15	2.7590	Nut, 1/4"-28 hex.....	122161		1
15	2.7600	Shim, high speed spring (.010").....	5150947		1
15	2.7600	Shim, high speed spring (.078").....	5151249		1
15	2.7610	Retainer, high speed spring.....	5174436		2
15	2.7630	Cover, high speed spring.....	5131132		2
15	2.7630	Screw, 5/16"-18x3/4" fil. hd.....	5133406		1
15	2.7630	Lockwasher, 5/16".....	103320		1
15	2.7650	Gasket, high speed spring cover.....	5152944		2
GOVERNOR CONTROL - Two Speed -					
15	2.7900	Base, solenoid box.....	14.007ED		1
15	2.7901	Cover, solenoid box.....	14.008ED		1
15	2.7901	Screw, solenoid cover.....	10/24x1/2		1
15	2.7902	Solenoid, 2 speed control.....	60004ED		1
15	2.7903	Bolt, solenoid to base.....	10/24x1/2		4
15	2.7903	Nut, self locking, solenoid base bolt.....	10/24		4
15	2.7904	Pin, solenoid plunger (includes lock rings).....	60006ED		1
15	2.7905	Link, solenoid connecting.....	14.011ED		1
15	2.7906	Pin, pivot, solenoid link.....	60016ED		1
15	2.7906	Pin, cotter, solenoid, link pivot pin.....	1/16x3/4		1
15	2.7907	Spring, solenoid link.....	15.072ED		1
15	2.7908	Nut, self locking, solenoid link.....	15.044ED		1
15	2.7909	Spring, governor throttle lever.....	15.071ED		1
15	2.7909	Bushing, throttle lever spring.....	15.076ED		1
15	2.7910	Spring, governor stop lever.....	15.073ED		1
-	2.7915	Block, terminal, 2 speed wire.....	60082ED		1
-	2.7916	Clamp, 2 speed terminal block.....	34819ED		1
15	2.7902	Coil, 2 speed solenoid.....	60008ED		1
15	2.7917	Fuse Assy.....	60139ED		
-	2.7903	Cable, gov. stop control (48" L.).....	60150ED		AR
-	2.7903	Cable, gov. stop control (72" L.).....	60183ED		AR



FIG. NO.	ITEM NO.	NAME AND DESCRIPTION	MFG. PART NUMBER	CUSTOMER STOCK NUMBER	QTY.
		STARTING MOTOR			
-	7.3001	Motor Assy., starting sprag .....	1113643		1
-	7.3001	Bolt, 5/8"-11x1 5/8" .....	426449		2
-	7.3001	Bolt, 5/8"-18x2 1/4" .....	428732		1
-	7.3001	Lockwasher, 5/8" .....	103325		3
-	7.3001	Nut, 5/8"-18 hex. ....	117053		1
-	7.3245	Cable Assy., switch to starting motor .....	5180184		1
-	7.3255	Switch, starting motor magnetic .....	1119879		1
		POWER GENERATOR (DELCO) (See Special Supplement on Power Generator)			
		WIRING HARNESS			
-	7.7001	Harness, hour meter (includes insulator) .....	60088ED		1
-	7.7001	Insulator, hour meter .....	5111080		1
-	7.7001	Harness, engine wiring .....	5186097		1
-	7.7001	Connector Assy., (3/8"x90°) (used with engine harness) .....	60073ED		1
-	7.7001	Cover, starting switch (used with engine harness)..	5186014		1
-	7.7001	Washer, insulation (used with engine harness).....	5188742		1
-	7.7010	Clip, wiring harness (2 3/4" L.-7/16" bolt).....	3223197		4
-	7.7110	Strap,ground (engine wiring) .....	5156268		1
-	7.7110	Bolt, 1/2"-12x1 1/4" hex.hd. ....	442733		1
-	7.7110	Bolt, 1/2" -13x3/8" hex. hd. ....	180176		1
-	7.7110	Lockwasher, 1/2" .....	103323		2
-	7.7110	Lockwasher, 1/2" int., ext. ....	178591		2
-	7.7110	Nut, 1/2" - 13 hex. ....	117064		2
-	7.7220	Conduit Assy., generator to control cabinet .....			
		(power generator wiring) .....	3409ED		1
-	7.7220	Clip (conduit to base) .....	5182874		1
-	7.7220	Clip (conduit to base) .....	5157702		2
-	7.7220	Seal Connector, generator power cable .....	3488ED		1
-	7.7220	Receptacle, Power Generator .....	13.016ED		1
33	7.7222	Switch, Engine Starting .....	13.007ED		
-	7.7223	Pyle Plug & Cable Assy. ....	13.023ED		



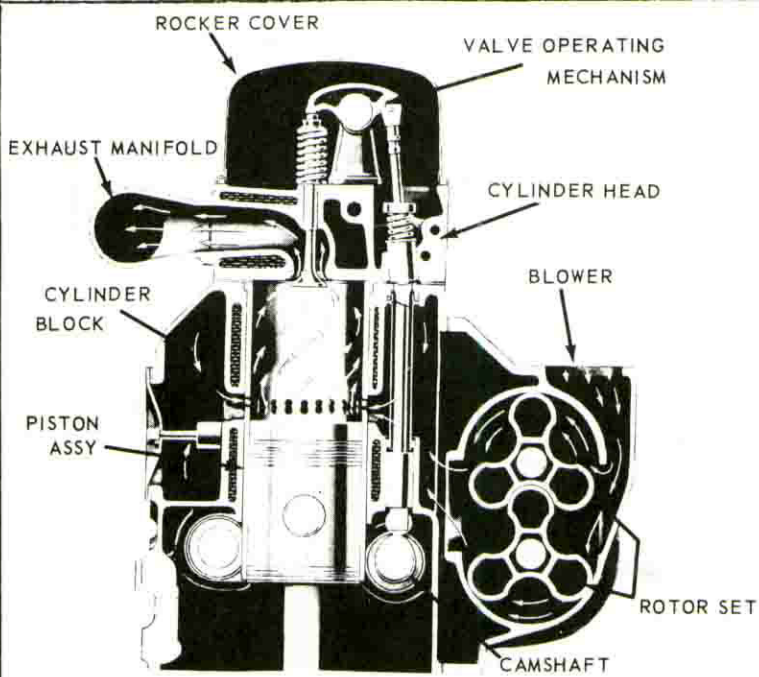
**FIG. 16 – INJECTOR CONTROL**



**FIG. 17 – AIR INLET HOUSING**

# EMERSON G M DIESEL

FIG. NO.	ITEM NO.	NAME AND DESCRIPTION	MFG. PART NUMBER	CUSTOMER STOCK NUMBER	QTY.
AIR INLET HOUSING					
17	3.3001	Housing, flange type, (mounted air cleaner).....	5154409		1
-	3.3002	Housing, air inlet (remote air cleaner).....	5128896		1
17	3.3003	Plug, 1/4" pipe.....	5145010		1
-	3.3004	Bolt, 3/8"-16x1 1/8".....	186619		3
17	3.3005	Bolt, 3/8"-16x1 1/2".....	454906		1
17	3.3006	Lockwasher, 3/8".....	103321		4
-	3.3007	Valve, shutdown.....	5152545		1
17	3.3008	Screw, #10-32x3/8" rd. hd. sl.....	132900		2
17	3.3009	Shaft, shutdown.....	5128895		1
-	3.3010	Seal ring, shutdown valve shaft.....	5176557		2
-	3.3011	Washer, 3/8" flat.....	5150946		1
-	3.3012	Spring, shutdown valve tension.....	60125ED		1
-	3.3013	Spring, air shutdown latch.....	5114124		1
-	3.3014	Pin, 1/8"x1" roll.....	453676		1
17	3.3015	Latch, air shutdown cam release.....	5112785		1
17	3.3016	Spacer, latch.....	5113633		1
-	3.3017	Bolt, 1/4"-20x1 1/2".....	121926		1
17	3.3018	Washer, 1/4" flat.....	120392		1
17	3.3020	Cam, air shutdown.....	5122623		1
17	3.3021	Pin, 1/8"x11/16" roll.....	273436		1
-	3.3022	Bolt, air shutdown latch link.....	5124846		1
17	3.3023	Pin, 1/8"x3/8" cotter.....	112526		1
-	3.3024	Lockwasher, 1/4".....	103319		1
-	3.3025	Nut, 1/4"-24 hex. thin.....	122161		1
INJECTOR CONTROLS					
-	2.9001	Injector Control Tube.....	5196485		1
16	2.9003	Bracket, injector control tube.....	5132099		2
16	2.9003	Bolt, 1/4"-20x5/8".....	186676		4
-	2.9003	Lockwasher, 1/4".....	103319		4
16	2.9009	Lever, injector control tube.....	5150263		1
-	2.9009	Pin, 1/8"x7/8" groove.....	142487		1
16	2.9010	Spacer, lever.....	5170676		1
16	2.9012	Spring, injector control tube.....	5115922		1
16	2.9014	Lever, injector control tube rack.....	5115322		2
16	2.9014	Pin, lever.....	5150033		2
16	2.9015	Spacer, lever.....	5172895		1
16	2.9018	Cap, lever.....	5153885		2
16	2.9018	Pin, dowel (cap to lever).....	5150942		2
16	2.9018	Screw, 1/4"-20x1" fil. hd.....	114357		4
16	2.9020	Weight, balance.....	5114133		1
16	2.9020	Pin, 1/8"x7/8" groove.....	142487		1
16	2.9022	Link, injector control tube (to mechanical governor).....	5114675		1
16	2.9022	Washer, injector control tube (to governor link)...	5150941		2
16	2.9022	Retainer, 13/64" spring.....	142583		2
16	2.9024	Eye, governor link.....	5154411		1
16	2.9024	Nut, 1/4"-28 hex.....	120613		1
16	2.9026	Pin, governor link.....	5150265		1



TYPICAL BLOWER ILLUSTRATION

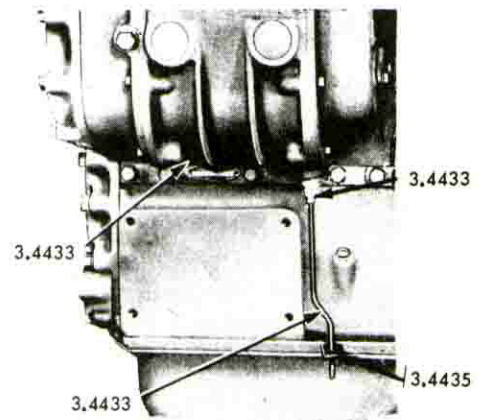


FIG. 18 - BLOWER DRAIN

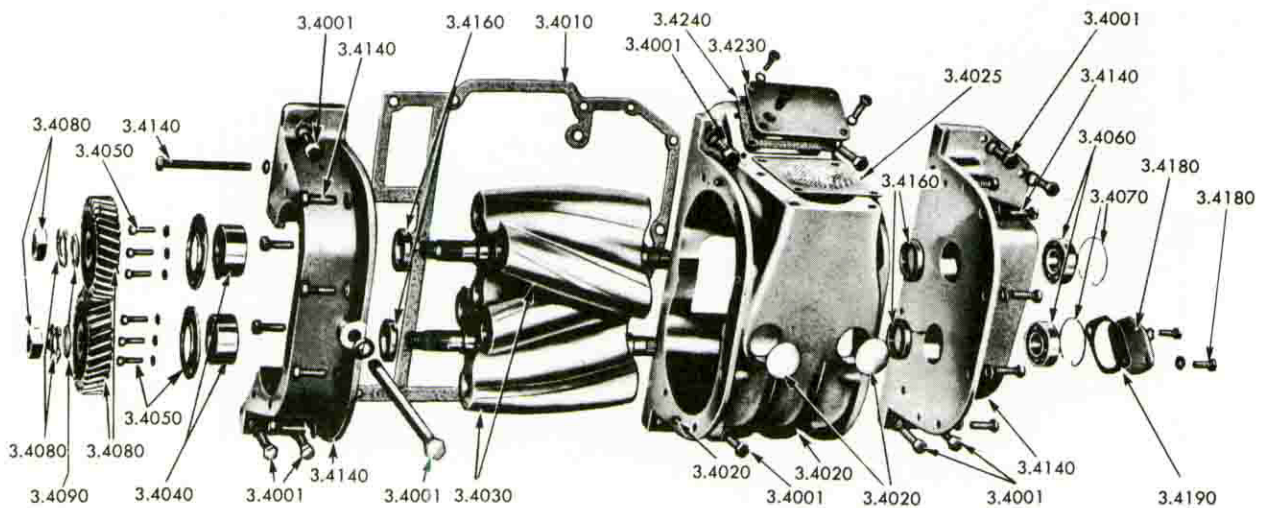


FIG. 19 - BLOWER - TYPE I

FIG. NO.	ITEM NO.	NAME AND DESCRIPTION	MFG. PART NUMBER	CUSTOMER STOCK NUMBER	QTY.
		BLOWER			
19	3.4001	Blower Assy.....	5158159		1
19	3.4001	Bolt, 3/8"x16x1/8".....	186619		4
19	3.4001	Bolt, 3/8"-16x1 3/8".....	186612		8
19	3.4001	Bolt, 7/16"-14x7 1/2".....	444910		1
-	3.4001	Washer, 3/8" flat.....	103341		12
-	3.4001	Washer, 7/16" flat.....	5150238		1
-	3.4003	Blower Kit, installation (gaskets to install a blower).....	5192320		AR
-	3.4005	Blower Kit, repair (bearings, shims, seals, and blower gaskets).....	5192324		AR
19	3.4010	Gasket, blower.....	5154133		1
19	3.4020	Housing, blower.....	5154340		1
19	3.4020	Dowel, blower housing.....	5157933		4
19	3.4020	Plug, blower housing.....	5154877		2
19	3.4025	Screen, blower.....	5154406		1
19	3.4030	Rotor Set, (one upper and one lower rotor).....	5190012		1
19	3.4040	Bearing, rotor front.....	455506		2
19	3.4050	Retainer, rotor front bearing.....	5154113		2
19	3.4050	Screw, 1/4"-20x3/4" fil. hd.....	132264		6
-	3.4050	Lockwasher, 1/4".....	103319		6
19	3.4060	Bearing, rotor gear.....	954499		2
19	3.4070	Retainer, rotor rear bearing (snap ring).....	5154225		2
19	3.4080	Gear Set, rotor.....	5155050		1
19	3.4080	Lockwasher, rotor gear.....	5154115		2
19	3.4080	Nut, rotor gear.....	5154114		2
19	3.4090	Shim, rotor gear (.002").....	5154226		AR
19	3.4090	Shim, rotor gear (.005").....	5154227		AR
19	3.4090	Shim, rotor gear (.010").....	5154228		AR
19	3.4140	Plate Assy., housing end (front) (includes seal 5154244).....	5154338		1
19	3.4140	Plate Assy., housing end (rear) (includes seal 5154224).....	5154339		1
19	3.4140	Bolt, 5/16"-18x1".....	186629		14
19	3.4140	Bolt, 5/16"-18x3 1/4".....	426444		1
-	3.4140	Lockwasher, 5/16".....	103320		AR
19	3.4160	Seal, housing end plate oil.....	5154224		4
19	3.4180	Cover, housing end plate.....	5154222		1
19	3.4180	Bolt, 5/16"-18x3/4".....	179816		2
-	3.4180	Lockwasher, 5/16".....	103320		2
19	3.4190	Gasket, housing end plate cover.....	5154223		1
19	3.4230	Cover, housing air heater pad.....	5152437		1
19	3.4230	Bolt, 1/4"-20x3/4".....	443603		4
-	3.4230	Lockwasher, 1/4".....	103319		4
19	3.4240	Gasket, housing air heater pad cover.....	5152438		1
18	3.4433	Tube, blower drain.....	5154971		1
-	3.4433	Hose, drain tube.....	5188376		1
18	3.4433	Connector, 1/4" inv. fl. tube.....	137406		1
18	3.4433	Nipple (3/8"x1/4" pipe).....	5158656		1
18	3.4435	Clip, drain tube (attached by oil pan bolt).....	5152640		1

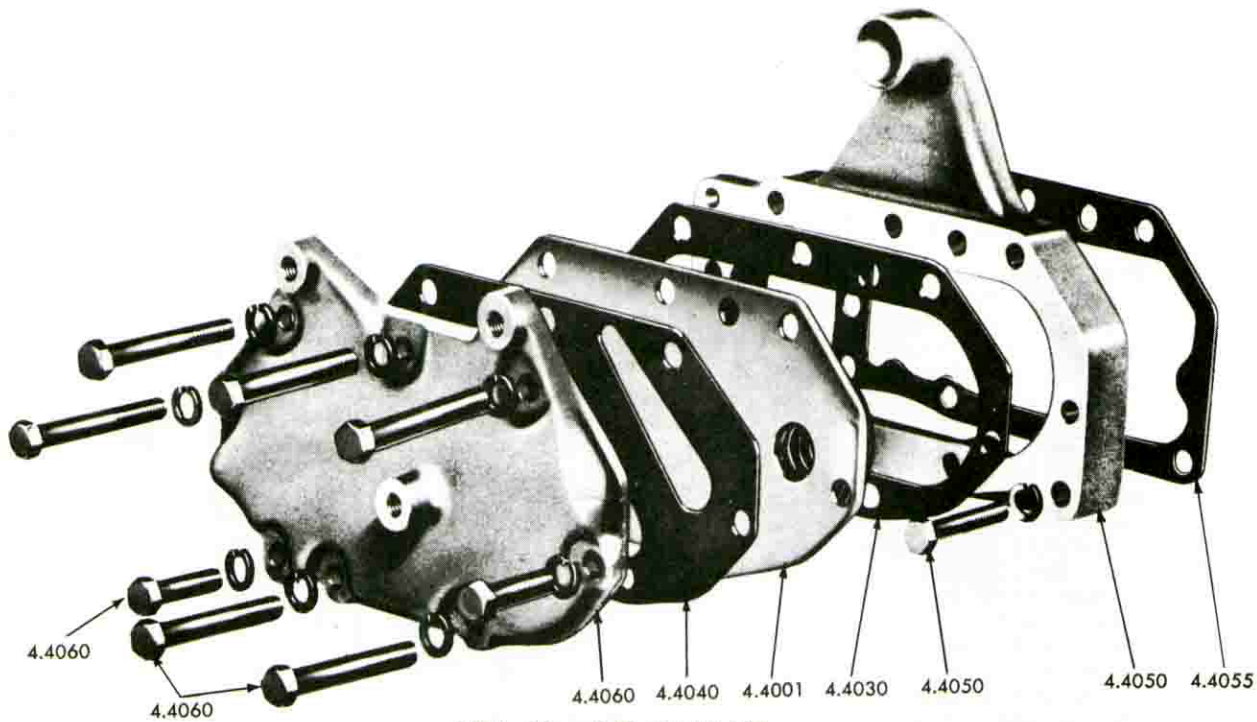


FIG. 20 – OIL COOLER

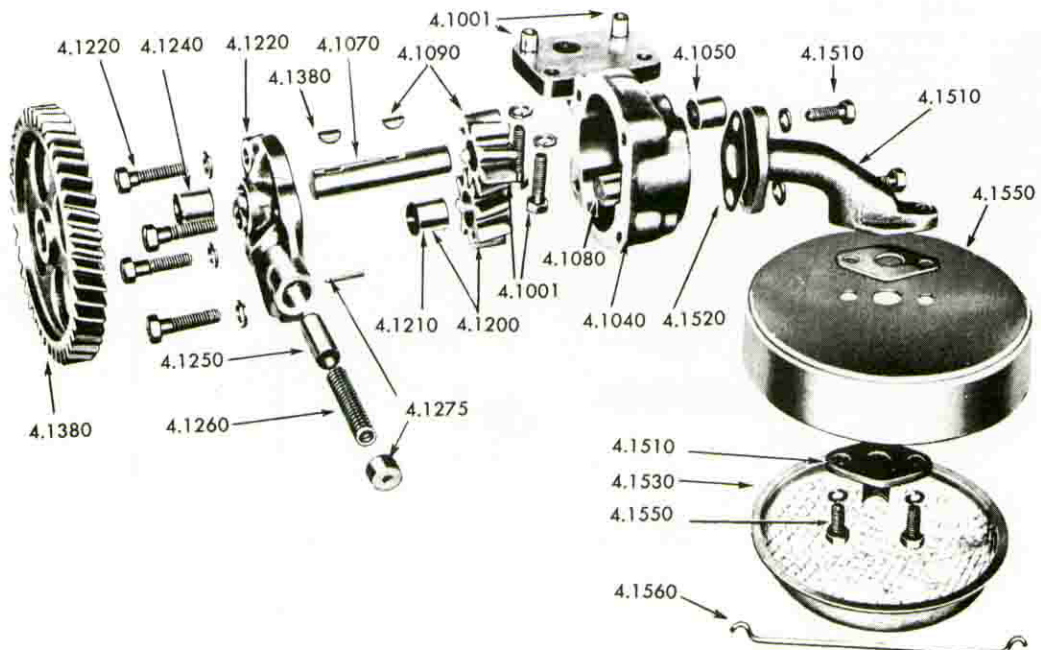


FIG. 21 – OIL PUMP & OIL DISTRIBUTION SYSTEM

FIG. NO.	ITEM NO.	NAME AND DESCRIPTION	MFG. PART NUMBER	CUSTOMER STOCK NUMBER	QTY.
OIL COOLER					
20	4.4001	Core Assy.....	8508890		1
20	4.4030	Gasket, core inner.....	5165803		1
20	4.4040	Gasket, core outer.....	5165801		1
20	4.4050	Housing.....	5165800		1
20	4.4050	Bolt, 7/16"-14x2 1/4".....	179867		2
20	4.4050	Lockwasher, 7/16".....	103322		2
20	4.4055	Gasket, housing to block.....	5154213		1
20	4.4060	Cover, housing.....	5165799		1
20	4.4060	Bolt, 7/16"-14x1 3/8".....	427564		2
20	4.4060	Bolt, 7/16"-14x2 3/4".....	450501		6
23	4.4120	Valve Assy., oil cooler by-pass.....	5165696		1
23	4.4120	Bolt, 7/16"-14x1 3/8".....	427564		2
23	4.4120	Lockwasher, 7/16".....	103322		2
23	4.4150	Spring, by-pass valve.....	5154270		1
23	4.4151	Ball, by-pass valve spring.....	104924		1
23	4.4160	Plug, by-pass valve.....	5154269		1
23	4.4180	Gasket, by-pass valve.....	5153945		1
OIL PUMP					
21	4.1001	Pump Assy.....	5171434		1
21	4.1001	Dowel, (pump to cylinder block).....	5153301		2
21	4.1001	Bolt, 5/16"-18x1 1/4".....	186624		4
-	4.1001	Lockwasher, 5/16".....	103320		4
21	4.1070	Shaft, pump drive.....	5152373		1
21	4.1080	Shaft, pump driven gear.....	5152376		1
21	4.1090	Gear, pump drive.....	5152374		1
21	4.1090	Key, 1/8"x1/2" woodruff.....	106749		1
21	4.1200	Gear Assy., pump driven (bushing).....	5152405		1
21	4.1250	Valve, pump relief.....	5152380		1
21	4.1260	Spring, valve.....	5152381		1
21	4.1275	Cup, spring retaining.....	5171003		1
21	4.1275	Pin, 1/8"x3/4" groove.....	142486		1
21	4.1380	Gear, pump drive (on pump).....	5172207		1
21	4.1380	Key, 1/8"x1/2" woodruff.....	106749		1
OIL DISTRIBUTION SYSTEM					
21	4.1510	Pipe, pump inlet.....	5185989		1
21	4.1510	Bolt, 5/16"-x18x7/8".....	186625		2
21	4.1510	Lockwasher, 5/16".....	103320		2
21	4.1520	Gasket, inlet pipe.....	5150144		2
21	4.1530	Screen, pump inlet.....	5152385		1
21	4.1540	Bracket, pump screen support.....	5185990		1
21	4.1540	Bolt, 3/8"-24x7/8".....	181361		2
21	4.1540	Lockwasher, 3/8".....	103321		2
21	4.1550	Cover, screen.....	5152383		1
-	4.1550	Lockwire.....	5151241		AR
21	4.1550	Bolt, 5/16"-24x1".....	5155710		2
21	4.1550	Nut, 5/16"-24 hex. sl.....	121917		2
21	4.1560	Retainer, inlet pipe screen.....	5152386		1

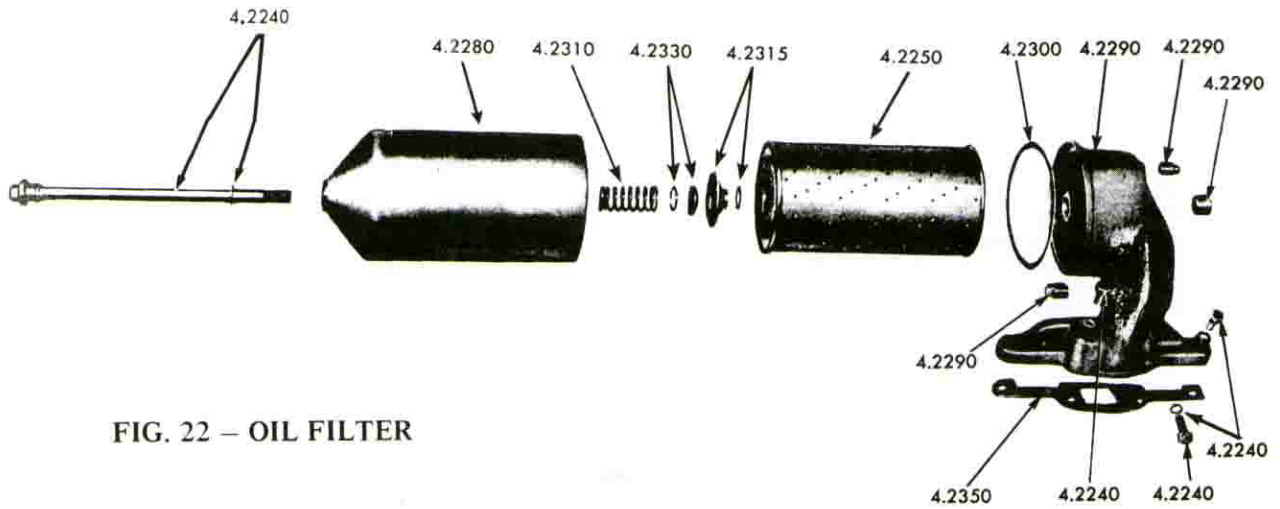


FIG. 22 – OIL FILTER

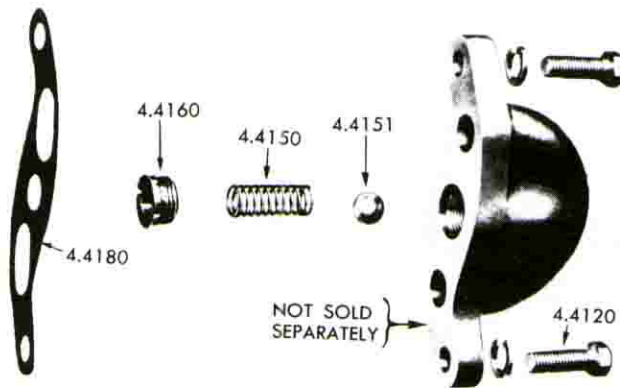


FIG. 23 – OIL COOLER BY-PASS VALVE

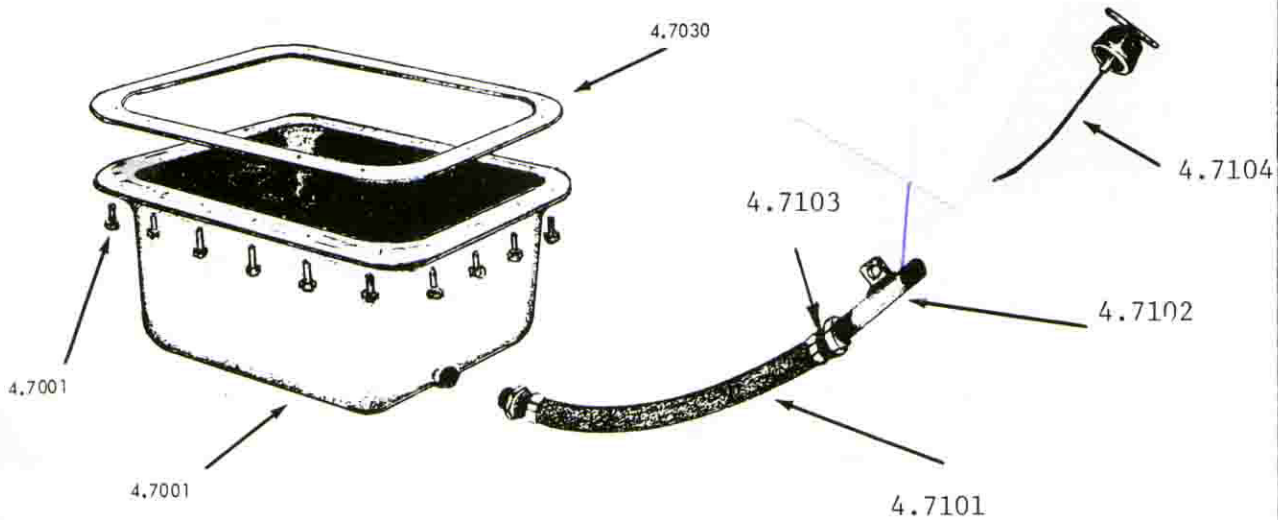


FIG. 24 – OIL PAN



FIG. NO.	ITEM NO.	NAME AND DESCRIPTION	MFG. PART NUMBER	CUSTOMER STOCK NUMBER	QTY.
OIL FILTER					
22	4.2240	Filter Assy. ....	5167133		1
22	4.2240	Bolt, 3/8"-16x1 3/8" .....	186612		3
22	4.2240	Bolt, 3/8"-16x2 3/4" .....	108618		1
22	4.2240	Bolt, 7/16"-14x1 1/4" .....	180147		1
22	4.2240	Lockwasher, 3/8" .....	103321		4
22	4.2240	Lockwasher, 7/16" .....	103322		1
22	4.2250	Element, filter (gasket 5571024) .....	5572425		1
22	4.2280	Shell, filter .....	5574008		1
22	4.2290	Adaptor Assy. ....	5167132		1
22	4.2290	Plug, 1/4" pipe .....	5145010		1
22	4.2290	Plug, 3/8" pipe .....	5145014		1
22	4.2290	Plug, 1/2" pipe .....	444873		1
22	4.2300	Gasket, cover .....	5571024		1
22	4.2310	Spring .....	1503518		1
22	4.2330	Gasket, cover nut .....	6437298		1
22	4.2350	Gasket, adaptor .....	5152413		1
22	4.2410	Stud, center .....	1595893		1
OIL PAN					
24	4.7001	Pan Assy., (cast) .....	5185926		1
24	4.7001	Bolt, 5/16"-18x1" (with lockwasher) .....	189697		20
24	4.7030	Gasket, pan to block .....	5154198		1
24	4.7101	Hose, oil drain .....	60115ED		1
24	4.7101	Hose oil drain (Aeroquip Style) .....	60193ED		1
24	4.7102	Pipe (end of tube) .....	21.002ED		1
24	4.7103	Gasket, hose to pipe .....	3486-2ED		1
24	4.7104	Cap (dipstick) .....	50122ED		1
VENTILATING SYSTEM					
-	4.8001	Breather Assy. ....	5165693		1
-	4.8001	Pipe, breather .....	5186049		1
-	4.8001	Bolt, 1/4"-20x1 1/4" .....	186601		2
-	4.8001	Lockwasher, 1/4" .....	103319		2
-	4.8020	Gasket, breather pipe .....	5150900		1
-	4.8040	Clip, (7/8" dia.) .....	5166244		1
-	4.8040	Bracket, clip .....	5185410		1
-	4.8040	Bolt, 5/16"-18x3/4" .....	179816		1
-	4.8040	Lockwasher, 5/16" .....	103320		1
-	4.8040	Nut, 5/16"-18 hex. ....	123197		1
-	4.8040	Hose, breather to drain manifold .....	60109ED		1

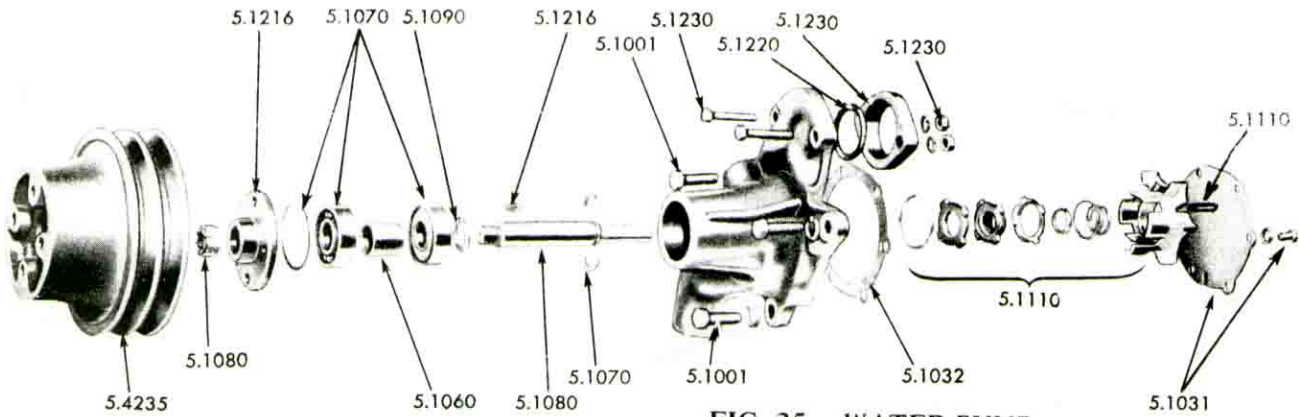


FIG. 25 - WATER PUMP

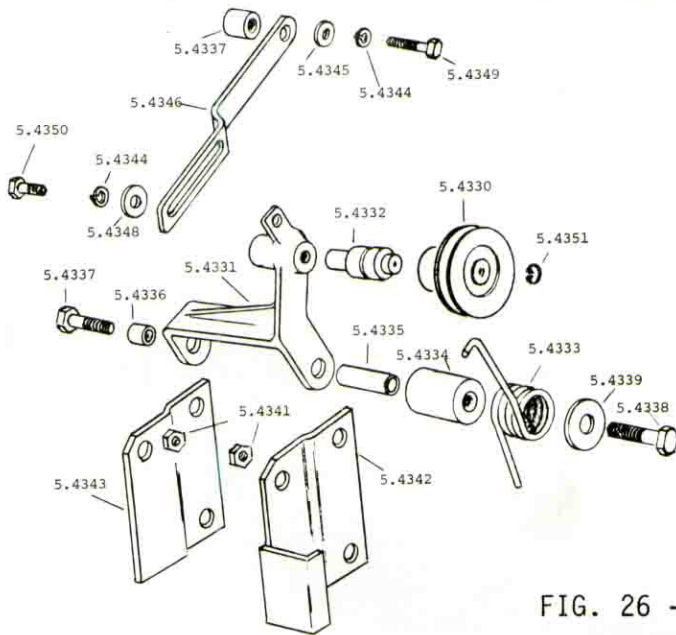


FIG. 26 - IDLER PULLEY

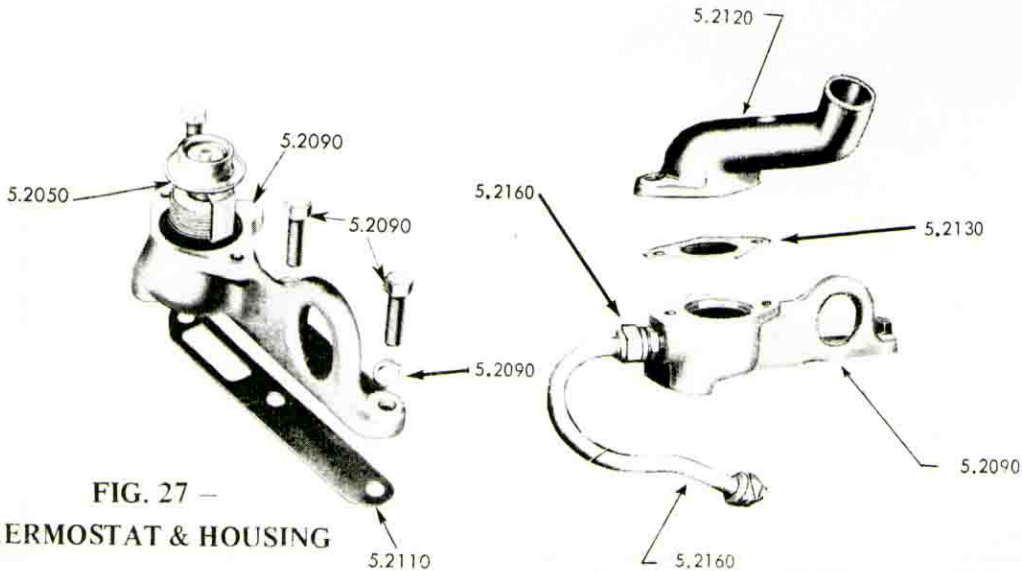


FIG. 27 -  
THERMOSTAT & HOUSING

FIG. NO.	ITEM NO.	NAME AND DESCRIPTION	MFG. PART NUMBER	CUSTOMER STOCK NUMBER	QTY.
FRESH WATER PUMP					
25	5.1001	Pump Assy., Fresh water .....	5170627		1
25	5.1001	Bolt, 7/16" - 14 x 1 3/8" .....	427564		3
-	5.1001	Lockwasher, 7/16" .....	103322		3
25	5.1030	Fitting, 1/8" x 45° lube (pin type) .....	120340		1
25	5.1030	Fitting, 1/8" x 45° lube (ball type) .....	271283		1
25	5.1031	Cover, pump body .....	5166129		1
25	5.1031	Bolt, 1/4" - 20 x 1/2" .....	180016		6
-	5.1031	Washer, 1/4" flat copper .....	5179709		6
25	5.1032	Gasket, pump body cover .....	5166130		1
-	5.1035	Insert, pump body .....	5178319		1
25	5.1060	Spacer, pump bearing .....	5151227		1
25	5.1070	Bearing, pump .....	954501		2
25	5.1070	Ring, pump bearing snap .....	2104593		1
25	5.1070	Ring, pump bearing shoulder .....	2082031		2
25	5.1080	Shaft, pump .....	5151226		1
25	5.1080	Nut, 9/16" - 18 hex. lock .....	451022		1
25	5.1090	Slinger, pump shaft .....	2082032		1
25	5.1110	Impeller and Seal Assy. ....	5170626		1
25	5.1110	Pin, impeller to shaft .....	103565		1
25	5.1216	Hub, pump driven pulley .....	5155599		1
25	5.1216	Key, 1/8" x 3/4" Woodruff .....	103646		1
25	5.1220	Packing, pump outlet .....	5150191		1
25	5.1230	Flange, pump outlet packing .....	5173730		1
25	5.1230	Bolt, 5/16" - 24 x 1 3/4" .....	1409023		2
-	5.1230	Lockwasher, 5/16" .....	103320		2
25	5.1230	Nut, 5/16" - 24 hex. ....	121917		2
FAN					
-	5.4001	Belt, fan cog .....	60128ED		1
-	5.4010	Blade, fan .....	5112830		1
-	5.4010	Bolt, 5/16" - 24 x 1 3/8" .....	181342		4
-	5.4010	Lockwasher, 5/16" .....	103320		4
-	5.4235	Pulley, fan (5 3/4" dia.) .....	5166846		1
IDLER PULLEY (Self Adjusting)					
		Idler Assy. (Less pulley, bearing and bracket) .....	16.019ED		1
		Idler Pulley & Bracket Assy. ....	60094ED		1
26	5.4330	Pulley, idler .....	60126ED		1
26	5.4331	Bracket, pulley .....	60168ED		1
-	5.4332	Shaft & Bearing Assy., pulley .....	60103ED		1
26	5.4333	Spring, torsion .....	15.061ED		1
26	5.4334	Spacer .....	15.060ED		1
26	5.4335	Spacer .....	15.095ED		1
26	5.4336	Spacer .....	15.094ED		1
26	5.4337	Bolt, 3/8" UNFx1 1/4" .....	15.096ED		1
26	5.4338	Bolt, 3/8" UNFx2 1/2" .....	15.091ED		1
26	5.4339	Washer, flat .....	15.087ED		1
26	5.4341	Nut, 3/8" UNF .....	15.056ED		2
26	5.4342	Bracket, front .....	14.031ED		1
26	5.4343	Bracket, rear .....	14.032ED		1
26	5.4344	Lockwasher, 3/8" .....	15.066ED		2
26	5.4345	Washer, flat .....	15.004ED		1
26	5.4346	Adjusting strap .....	15.097ED		1
26	5.4347	Spacer .....	15.098ED		1
26	5.4348	Washer .....	15.099ED		1
26	5.4349	Capscrew, 3/8 x 1 3/4 N.C. ....	15.109ED		1
26	5.4350	Capscrew, 3/8 x 1" NF .....	15.113ED		1
26	5.4351	Lock Ring .....	60.102ED		1
-	-	Adjusting Strap Assy. (Kit) .....	60.192ED		AR

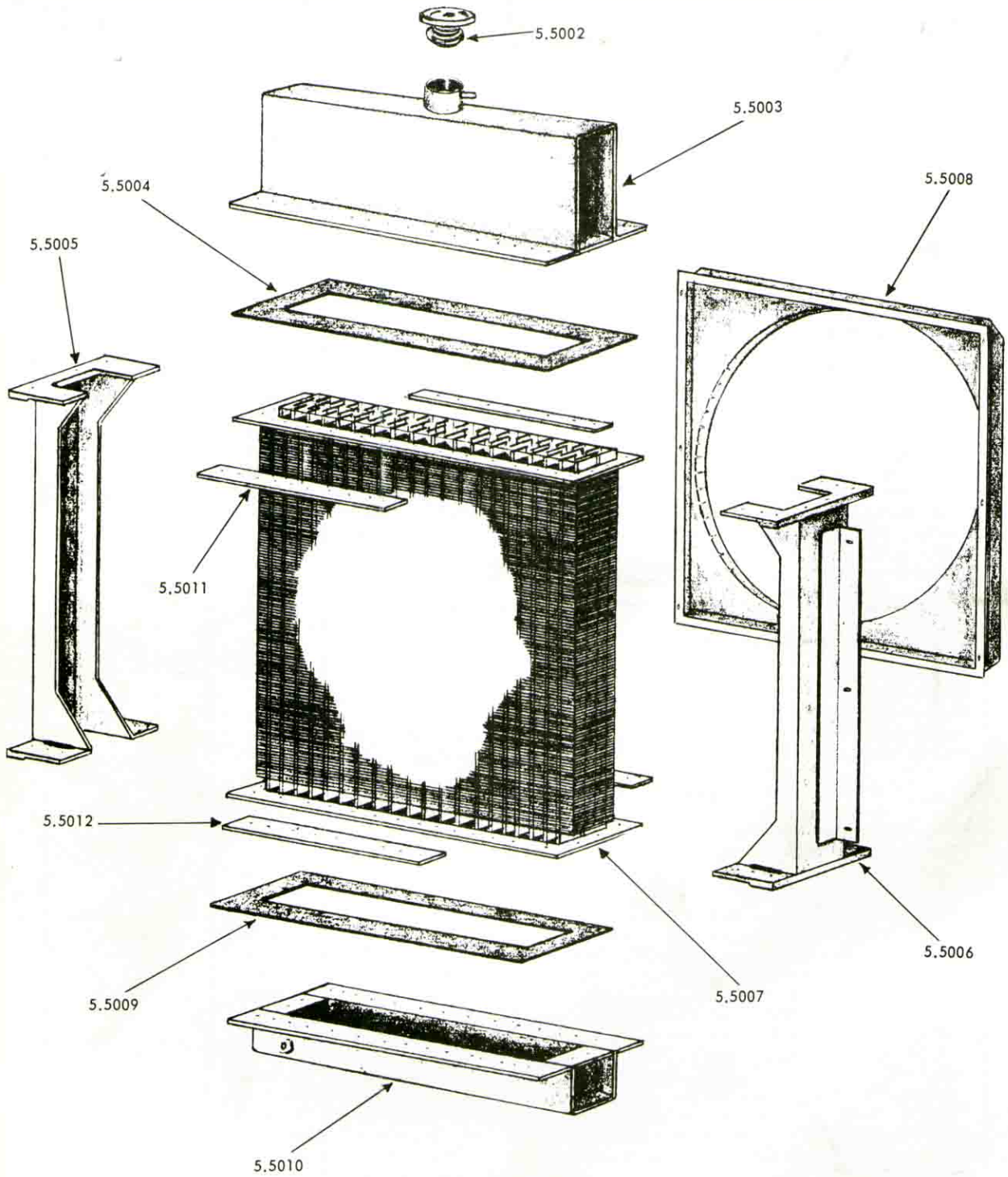


FIG. 28 – RADIATOR ASSY., PART No. 60129ED

FIG. NO.	ITEM NO.	NAME AND DESCRIPTION	MFG. PART NUMBER	CUSTOMER STOCK NUMBER	QTY.
THERMOSTAT					
27	5.2050	Thermostat Assy. ....	3146695		1
27	5.2090	Housing, thermostat .....	5135772		1
27	5.3090	Plug .....	5145011		1
27	5.2090	Bolt, 7/16"-14x1 1/4" .....	180147		3
27	5.2090	Lockwasher, 7/16" .....	103322		3
27	5.2110	Gasket, housing .....	5154271		1
27	5.2120	Cover, housing (outlet elbow) .....	60099ED		1
-	5.2120	Bolt, 5/16"-18x7/8" .....	186625		2
-	5.2120	Lockwasher, 5/16" .....	103320		2
27	5.2130	Gasket, housing cover .....	5152445		1
27	5.2160	Tube water, by pass .....	60101ED		1
27	5.2160	Nuts water, by pass tube 1/2" sealastic .....	5176523		2
27	5.2160	Fitting water, by pass tube 1/2" sealastic .....	5176521		2
27	5.2160	Seal, connector 1/2" sealastic .....	5176524		2
RADIATOR ASSY.					
-	5.3001	Radiator Assy., (die drawn) .....	60092ED		1
28	5.5001	Radiator Assy., (Bolted tank) .....	60129ED		1
28	5.5002	Cap, radiator .....	60086ED		1
28	5.5003	Top tank, radiator .....	60159ED		1
28	5.5004	Gasket, top tank .....	60160ED		1
28	5.5005	Side Assy., radiator (L.H.) .....	60161ED		1
28	5.5006	Side Assy., radiator (R.H.) .....	60161ED		1
28	5.5007	Core and Header Assy., radiator .....	60162ED		1
28	5.5008	Shroud and Duct Assy., radiator .....	60163ED		1
28	5.5009	Gasket, bottom tank .....	60160ED		1
28	5.5010	Bottom Tank, radiator .....	60164ED		1
28	5.5011	Header Bar, top tank .....	60167ED		2
28	5.5012	Header, Bar, Bottom tank .....	60167ED		2
-	5.5013	Bolt, 5/16"-18x3/4" .....	15.007ED		52
-	5.5016	Nut, 5/16"-18 hex. ....	15.006ED		68
-	5.5017	Lockwasher, 5/16" .....	60175ED		68
-	5.5014	Hose, radiator overflow (58"L.) .....	60176ED		1
-	5.5015	Clip, overflow hose .....	60171ED		3
-	5.5016	Bolt, 5/16"-18x7/8" .....	60173ED		16
COLD WEATHER STARTING AID (TURNER)					
-	12.6301	Starting Kit, cold weather .....	60.080ED		1
-	12.6301	Tank, cold weather kit .....	18.012ED		1
-	12.6301	Valve Assy., cold weather kit .....	18.017ED		1
-	12.6301	Nozzle, starting kit, air inlet end .....	18.018ED		1
-	12.6301	Connector, tank end .....	18.015ED		1
-	12.6304	Clamp, starting tank mounting .....	18.019ED		1
-	12.6305	Repair kit .....	18.013ED		1
		Cold weather starting aid (jet start) .....			1
-	12.6310	Starting Kit, cold weather .....	18.016ED		1
-	12.6310	Tank, cold weather starting .....	18.011ED		1
-	12.6310	Valve assy., starting air .....	18.020ED		1
-	12.6310	Clamp, starting tank mounting .....	18.021ED		1
-	12.6311	Repair kit .....	18.014ED		1

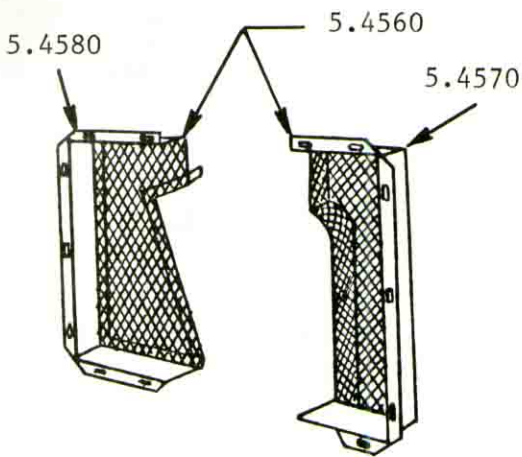


FIG. 29 - FAN SHROUD

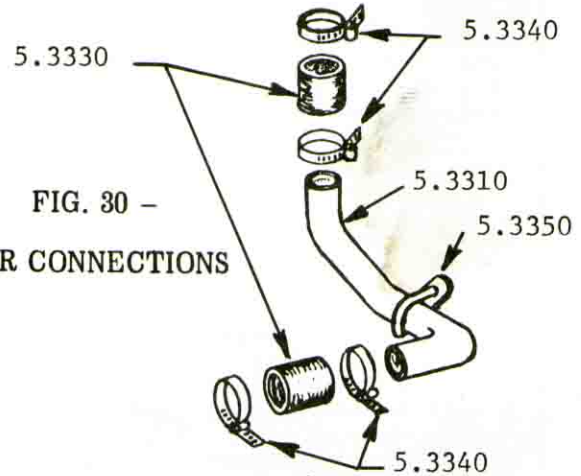
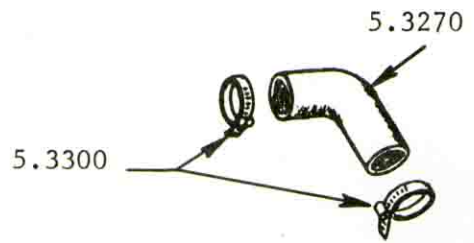


FIG. 30 -  
WATER CONNECTIONS

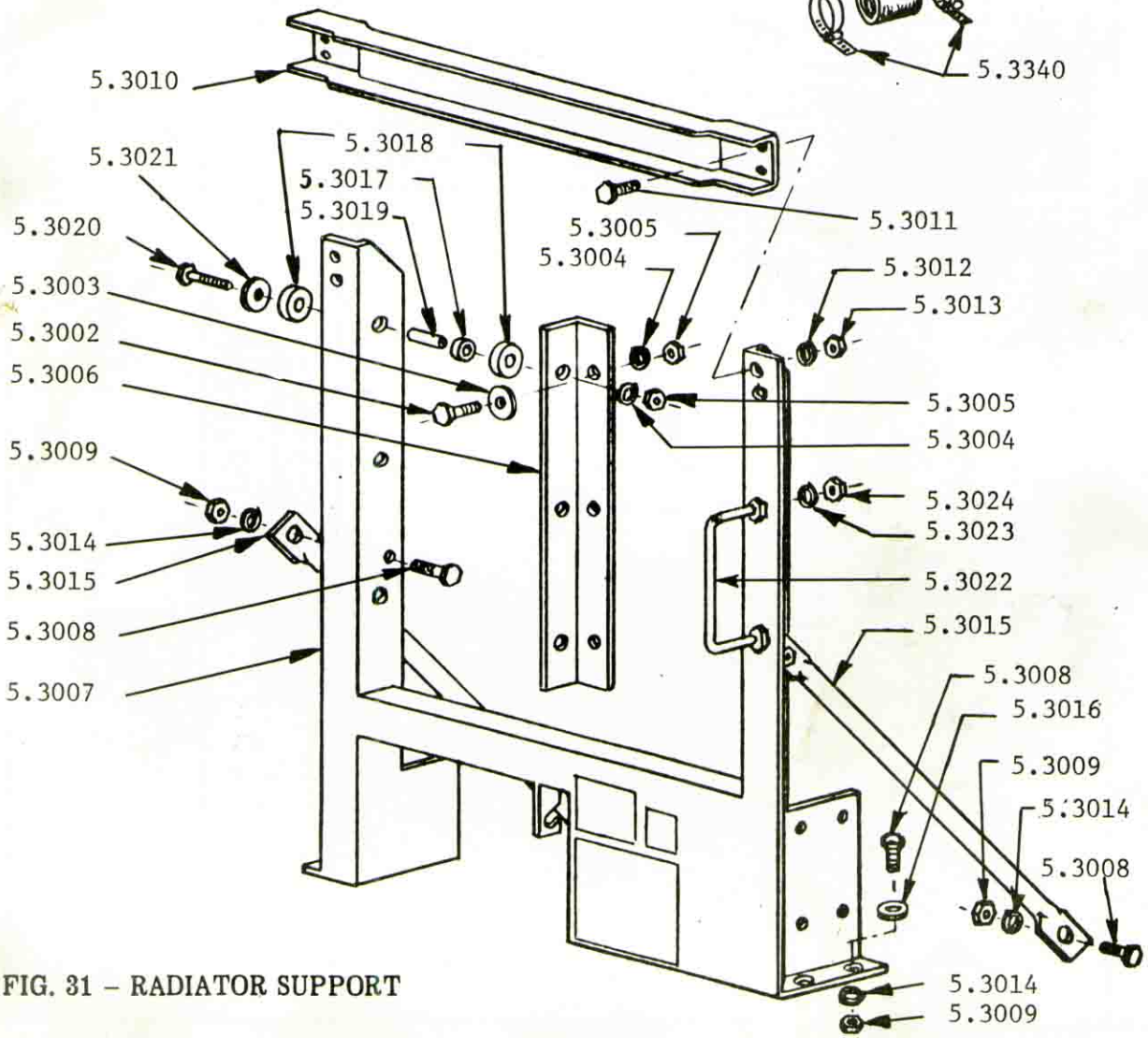


FIG. 31 - RADIATOR SUPPORT

FIG. NO.	ITEM NO.	NAME AND DESCRIPTION	MFG. PART NUMBER	CUSTOMER STOCK NUMBER	QTY.
RADIATOR SUPPORT					
31	5.3001	Support Assy., radiator.....	14.005ED 14.029ED		1 1
31	5.3002	Bolt, 5/16"-24x3/4" (radiator to bracket).....	181595		6
31	5.3003	Washer, 5/16" flat.....			6
31	5.3004	Lockwasher, 5/16".....	103320		12
31	5.3005	Nut, 5/16"-24".....	121917		12
31	5.3006	Angle, radiator mounting.....	60134ED		2
31	5.3007	Support Frame, radiator.....	14.005ED		1
31	5.3008	Bolt, 1/2"-13x1 1/2".....			8
31	5.3009	Nut, 1/2"-13 hex.....			8
31	5.3010	Channel, top cross.....	14.029ED		1
31	5.3011	Bolt, 3/8"-16x1".....			4
31	5.3012	Washer, 3/8" lock.....			4
31	5.3013	Nut, 3/8"-16 hex.....			4
31	5.3014	Lockwasher, 1/2".....			8
31	5.3015	Rod, support.....	60059ED		2
31	5.3016	Washer 1/2" flat.....			4
31	5.3017	Cushion, mounting (small).....	60132ED		6
31	5.3018	Cushion, mounting (large).....	60131ED		12
31	5.3019	Spacer, mounting cushion.....	60133ED		6
31	5.3020	Bolt, 5/16"-24x1 1/2".....			6
31	5.3021	Washer 5/16" flat.....			6
31	5.3022	Grab Rail, radiator support.....	60149ED		1
31	5.3023	Lockwasher, 5/8".....			2
31	5.3024	Nut, 5/8"-11 hex.....			2
RADIATOR-BOLTED					
-	5.3025	Rubber Strip, under radiator	60152ED		1
RADIATOR-DIE DRAWN					
-	5.3026	Bumper, support to radiator.....	2030ED		4
-	5.3027	Nut, 1/4"NC radiator bumper.....	1/4NS		AR
-	5.3028	Lockwasher, 1/4".....	15.016ED		AR
PANEL INSTRUMENT					
31	12.6500	Panel, (part of radiator support).....	NPN		1
31	12.6500	Plate, instruction & wiring diagram.....	60148ED		1
-	12.6500	Pin, instruction attaching.....	60046ED		4
31	12.6502	Plate, control (pull to stop).....	60146ED		1
31	12.6503	Plate, oil instruction.....	60095ED		1
-	12.6503	Pin, oil instruction attaching.....	60046ED		4
WATER CONNECTIONS					
30	5.3270	Hose, radiator inlet, upper.....	16.003ED		1
30	5.3300	Clamp, inlet hose.....	60156ED		2
30	5.3310	Tube, radiator (cross-over).....	60135ED		1
30	5.3330	Hose, radiator outlet.....	60154ED		2
30	5.3340	Clamp, outlet hose.....	60155ED		4
30	5.3350	Clip, tube (cross-over).....	60170ED		1
-	5.3350	Bolt, 5/16"-18x5/16".....	180083		1
-	5.3350	Lockwasher, 5/16".....	103320		1
FAN SHROUD					
29	5.4560	Fan Shroud Assy.....	5178676		1
29	5.4570	Guard, (blower side).....	60121ED		1
29	5.4580	Guard, (exhaust side).....	60118ED		1
-	5.4580	Screw, #14-10x5/8" tapping.....	149501		10
-	5.4580	Nut, speed #14.....	5170058		10

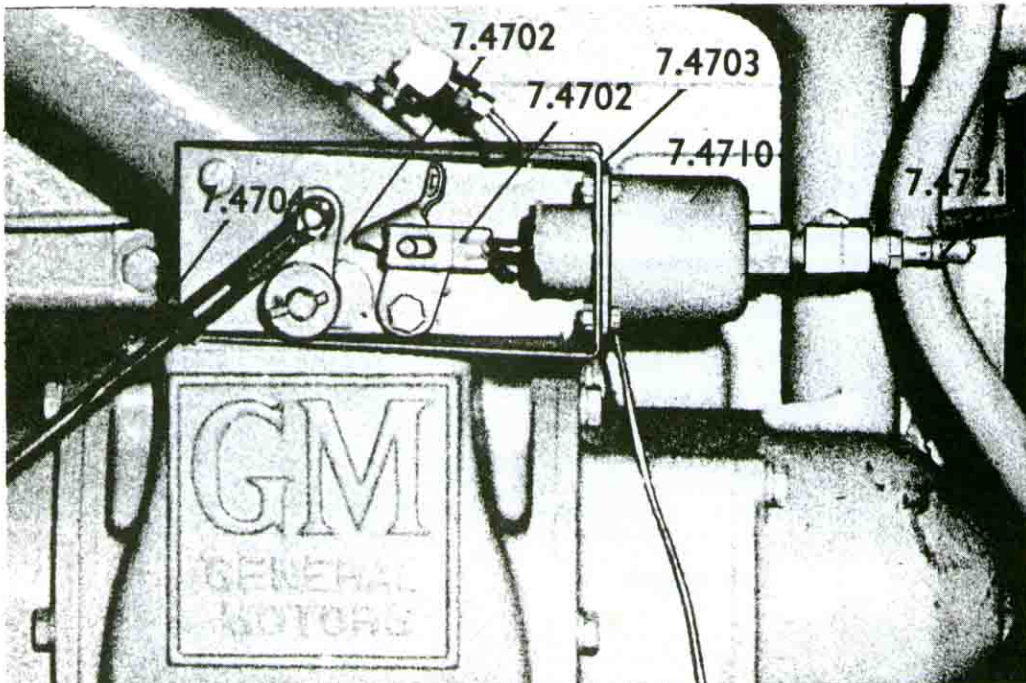
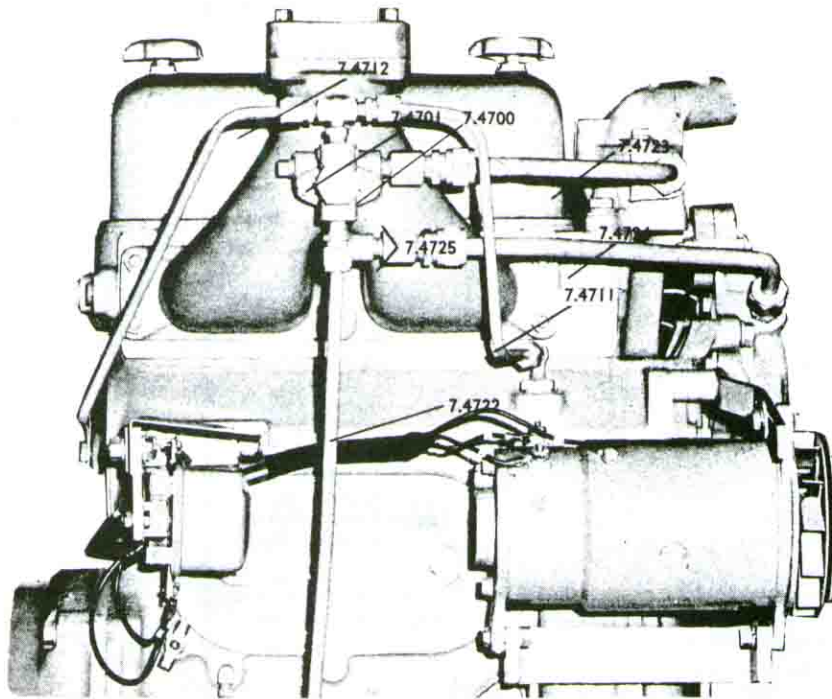
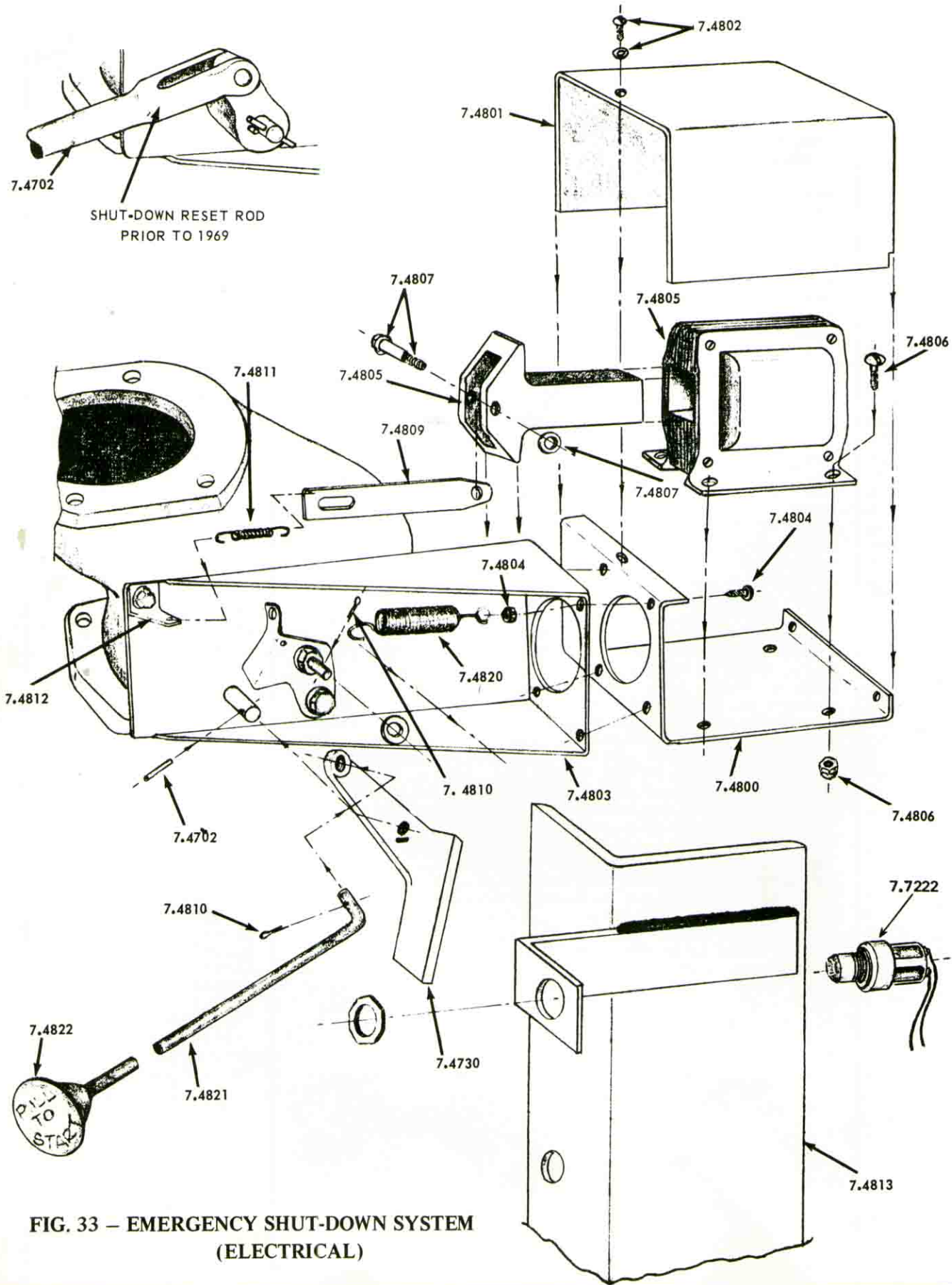


FIG. 32 – EMERGENCY SHUT-DOWN SYSTEM (FAILSAFE)



FIG. NO.	ITEM NO.	NAME AND DESCRIPTION	MFG. PART NUMBER	CUSTOMER STOCK NUMBER	QTY.
		EMERGENCY SHUTDOWN SYSTEM (Failsafe)			
32	7.4700	Valve Assy., water temp shutdown.....	5120976		1
-	7.4700	Gasket, shutdown valve.....	5163830		1
32	7.4701	Adaptor Assy., temperature shutdown valve.....	5109718		1
-	7.4701	Plunger.....	5109717		1
-	7.4701	Spring.....	5109719		1
-	7.4701	Gasket, adaptor.....	5113412		1
-	7.4701	Plug, 1/4" pipe.....	5145010		1
-	7.4701	Stud (5/16"-18-24x2 4/6") in exhaust manifold.....	5113655		1
-	7.4701	Lockwasher, 5/16".....	103320		1
-	7.4701	Nut, 5/16"-24 hex.....	121917		1
33	7.4702	Lever Assy., air shut-off reset (prior to 1969)....	5118532		1
33	7.4702	Pin, 1/8"x3/4" roll.....	455734		1
32	7.4702	Link, air shut-off bellows to latch.....	5115836		1
-	7.4703	Box, air shutdown control.....	5128276		1
-	7.4703	Bolt, 1/4"-20x5/8".....	186676		1
-	7.4703	Lockwasher, 1/4".....	103319		1
32	7.4704	Rod, starting control (prior to 1969).....	60116ED		1
32	7.4702	Clevis, 1/4"-28 adjustable rod end.....	2104066		1
-	7.4704	Nut, 1/4"-28 hex.....	122161		1
-	7.4704	Pin, 5/16" clevis.....	103495		1
-	7.4704	Pin, 3/34"x5/8" cotter.....	107762		1
32	7.4705	Spring, starting control rod retracting.....	60153ED		1
-	7.4706	Retainer, spring.....	5128854		1
-	7.4706	Bolt, 5/16"-24x7/8".....	181596		1
-	7.4706	Lockwasher, 5/16".....	103320		1
-	7.4706	Nut, 5/16"-24 hex.....	121917		1
32	7.4710	Bellows, oil pressure.....	5186528		1
-	7.4710	Screw, #10-32x3/8".....	132105		4
-	7.4710	Nut, #10-32 hex. (wish lockwasher).....	271169		4
32	7.4710	Tube, temperature valve supply (L.12").....	5128632		1
32	7.4712	Tube, temperature valve to bellows (L.31.30").....	5128628		1
-	7.4712	Clip, tube to bracket.....	5159490		1
-	7.4713	Nipple, water temp. valve (restricted).....	5124886		1
-	7.4714	Connector, 5/16" tube sealastic.....	5177491		3
-	7.4715	Seal Ring, 5/16" tube sealastic.....	5177493		4
-	7.4715	Nut, 5/16" tube sealastic.....	5177490		4
-	7.5716	Bushing, 1/4"x1/8" (in valve).....	112877		1
-	7.4717	Bushing, 1/2"x1/8" (in block).....	144050		1
-	7.4718	Elbow, 1/8" street 90° (at block).....	120401		1
-	7.4719	Tee, 1/8"x1/8" (at valve).....	178996		1
-	7.4719	Tee, 1/8" pipe (in bellows).....	2094272		1
32	7.4721	Cap & Stem Assy., (in tee at bellows).....	5116903		1
32	7.4722	Tube, temp. valve oil drain (L.22.36").....	5128630		1
-	7.4722	Connector, 3/8" tube sealastic.....	5179936		2
-	7.4722	Seal Ring, 3/8" tube sealastic.....	5179938		2
-	7.4722	Nut, 3/8" tube sealastic.....	5179937		2
32	7.4723	Tube, temp. valve water inlet (L.9.16").....	5128636		1
32	7.4724	Tube, valve to water pump (L.14.18").....	5128629		1
32	7.4725	Connector, 1/2" tube sealastic.....	5176521		4
-	7.4725	Seal Ring, 1/2" tube sealastic.....	5176524		4
-	7.4726	Nut, 1/2" tube sealastic.....	5176523		4
-	7.4727	Elbow, 1/4" street 90°.....	454109		1
-	7.4728	Adaptor, 3/8"x1/4" red. pipe.....	444321		2
-	7.4731	Failsafe Kit-complete.....	60127ED		1
33	7.4730	Lever, shut-down, reset.....	60142ED		1



**FIG. 33 – EMERGENCY SHUT-DOWN SYSTEM  
(ELECTRICAL)**

FIG. NO.	ITEM NO.	NAME AND DESCRIPTION	MFG. PART NUMBER	CUSTOMER STOCK NUMBER	QTY.
		EMERGENCY SHUTDOWN SYSTEM (ELECTRICAL)			
33	7.4822	Knob, "pull to start" rod.....	60141ED		1
33	7.4800	Base, shutdown solenoid.....	14.030ED		1
33	7.4801	Cover, solenoid base.....	14.006ED		1
33	7.4802	Screw, cover.....	15.021ED		2
33	7.4802	Lockwasher.....	15.030ED		2
33	7.4803	Bracket, shutdown solenoid base.....	60061ED		1
33	7.4804	Screw, (base to bracket).....	15.021ED		4
33	7.4804	Nut, self locking.....	15.028ED		4
33	7.4805	Solenoid, shutdown.....	60001ED		1
33	7.4806	Screw, solenoid to base.....	15.021ED		4
33	7.4806	Nut, self locking.....	15.028ED		4
33	7.4807	Pin, solenoid plunger (includes lock rings).....	60010ED		1
33	7.4809	Link, shutdown solenoid.....	14.010ED		1
33	7.4810	Nut, speed, solenoid link.....	15.017ED		1
33	7.4811	Spring, solenoid link.....	15.074ED		1
-	7.4812	Clip, spring.....	14.009ED		1
-	7.4815	Switch, water temperature.....	60143ED		1
-	7.4816	Clamp, wire harness retaining.....	60108ED		1
-	7.4817	Wire loom 2 speed and shutdown.....	13.008ED		1
-	7.4818	Switch, oil pressure.....	60151ED		1
-	7.4805	Coil, shutdown solenoid.....	60091ED		1
33	7.4813	Bracket, solenoid support with starter button mount	60144ED		1
33	7.4820	Spring, starting control rod.....	60153ED		1
33	7.4821	Rod, "pull to start".....	60157ED		1
33	7.4822	Spacer, rubber .....	60.182ED		AR
		AIR CLEANER - DRY TYPE			
-	3.1001	Element, air cleaner.....	60107ED		1
-	3.1001	Air Cleaner Assy.....	60023ED		1
-	3.1060	Gasket, air cleaner.....	60136ED		1
-	3.1061	Plate, air cleaner mounting.....	60119ED		1
17	3.1070	Stud, air cleaner mounting.....	60026ED		1
-	3.1070	Nut, wing, air cleaner stud.....	15.024ED		1

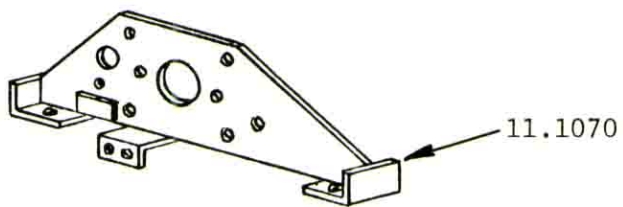


FIG. 34 - FRONT MOUNTING, ENGINE

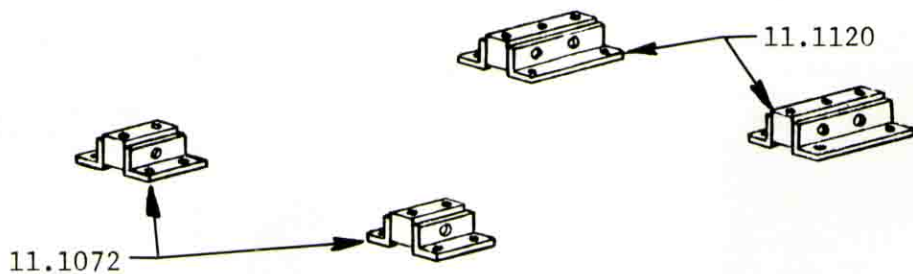


FIG 35 - MOUNTING BLOCKS  
FRONT & REAR

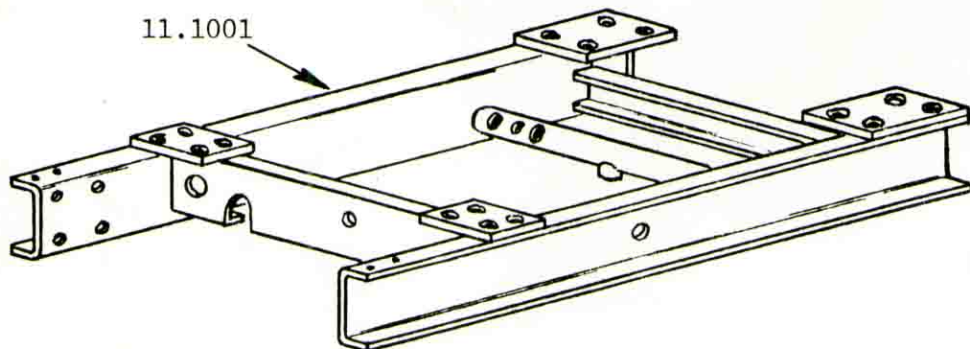


FIG. 36 - BASE FRAME

FIG. NO.	ITEM NO.	NAME AND DESCRIPTION	MFG. PART NUMBER	CUSTOMER STOCK NUMBER	QTY.
ENGINE MOUNTING AND BASE					
36	11.1001	Base.....	14.003ED		1
34	11.1070	Support, engine front.....	14.004ED		1
-	11.1070	Bolt, 1/2"-13x1 1/2".....			4
-	11.1070	Bolt, 5/8"-11x1 1/2".....			2
-	11.1070	Bolt, 5/8"-18x1 1/2".....	223809		4
-	11.1070	Lock, bolt bend tab.....	15.069ED		4
-	11.1070	Lockwasher, 1/2".....			4
-	11.1070	Lockwasher, 5/8".....			2
35	11.1072	Angle, engine front mounting.....	60066ED		4
-	11.1072	Pad, front mounting.....	60067ED		4
-	11.1072	Block, front mounting.....	60068ED		2
-	11.1072	Bushing, front mounting block.....	60072ED		2
-	11.1072	Spacer, front mounting block.....	60070ED		2
-	11.1072	Bolt, 5/8"-11x2".....			8
-	11.1072	Bolt, 9/16"-18x4".....	455101		2
-	11.1072	Nut, 9/16"-18 hex.....			2
-	11.1072	Nut, 5/8"-11 hex.....			8
-	11.1072	Lockwasher, 9/16".....			2
-	11.1072	Lockwasher, 5/8".....			8
35	11.1120	Angle, engine rear mounting.....	60063ED		4
-	11.1120	Pad, rear mounting.....	60065ED		4
-	11.1120	Block, rear mounting.....	60064ED		2
-	11.1120	Bushing, rear mounting block.....	60072ED		4
-	11.1120	Spacer, rear mounting block.....	60070ED		4
-	11.1120	Lockplate (generator to block bolt).....	15.070ED		2
-	11.1120	Bolt, 5/8"-11x2".....			8
-	11.1120	Bolt, 9/16"-18x4".....	455101		4
-	11.1120	Bolt, 5/8"-18x1 1/2".....			6
-	11.1120	Nut, 9/16"-18 hex.....			4
-	11.1120	Nut, 5/8"-11 hex.....			8
-	11.1120	Lockwasher, 5/8".....			8
-	11.1120	Lockwasher, 9/16".....			4
BOX, ENGINE RECORD					
-	13.001	Box, Engine Record.....	60089ED		1
-	13.002	Bolt, Box Mounting.....	15.040ED		4
-	13.002	Nut, Self Locking.....	15.020ED		4

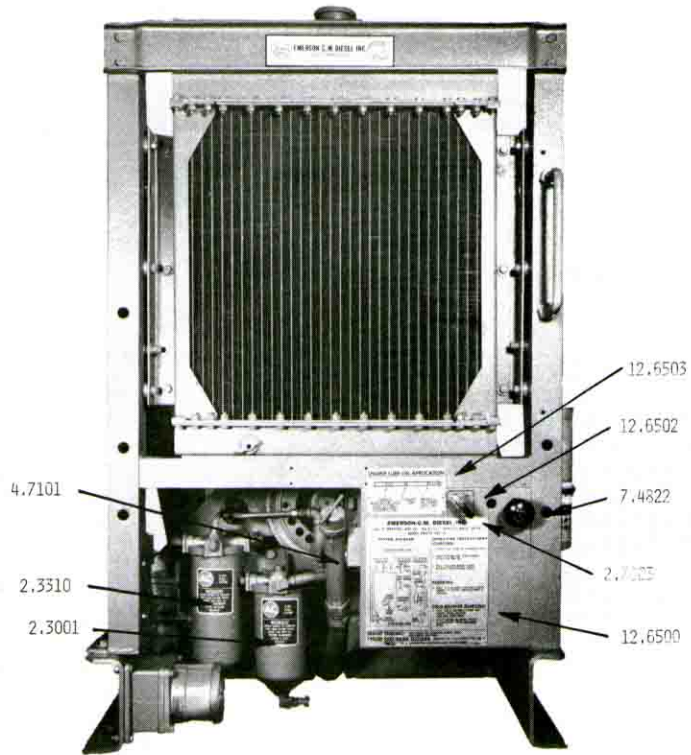


FIG. 37

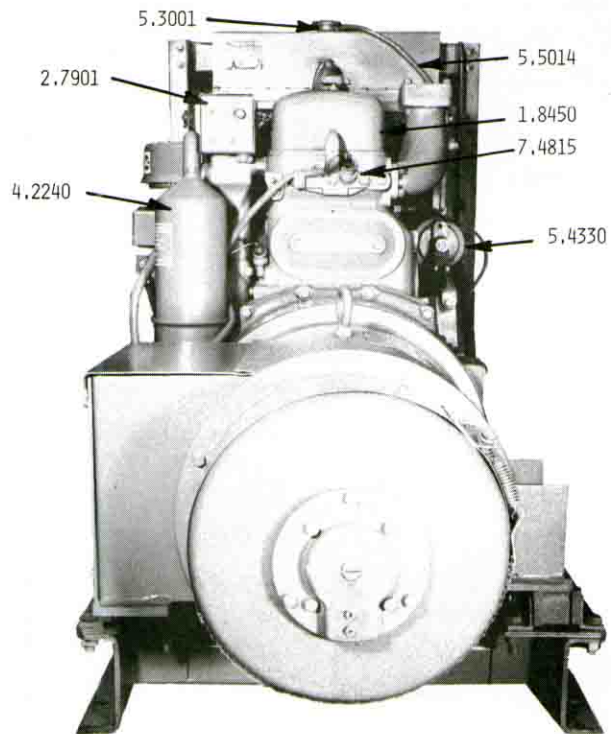


FIG. 38

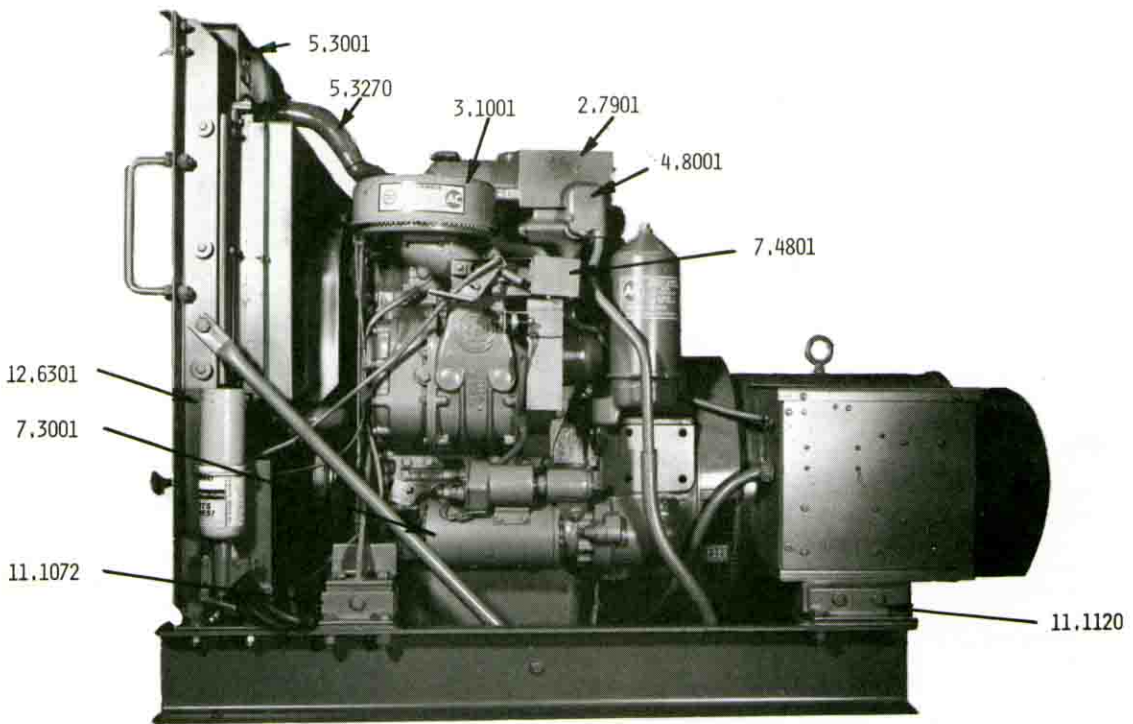


FIG. 39

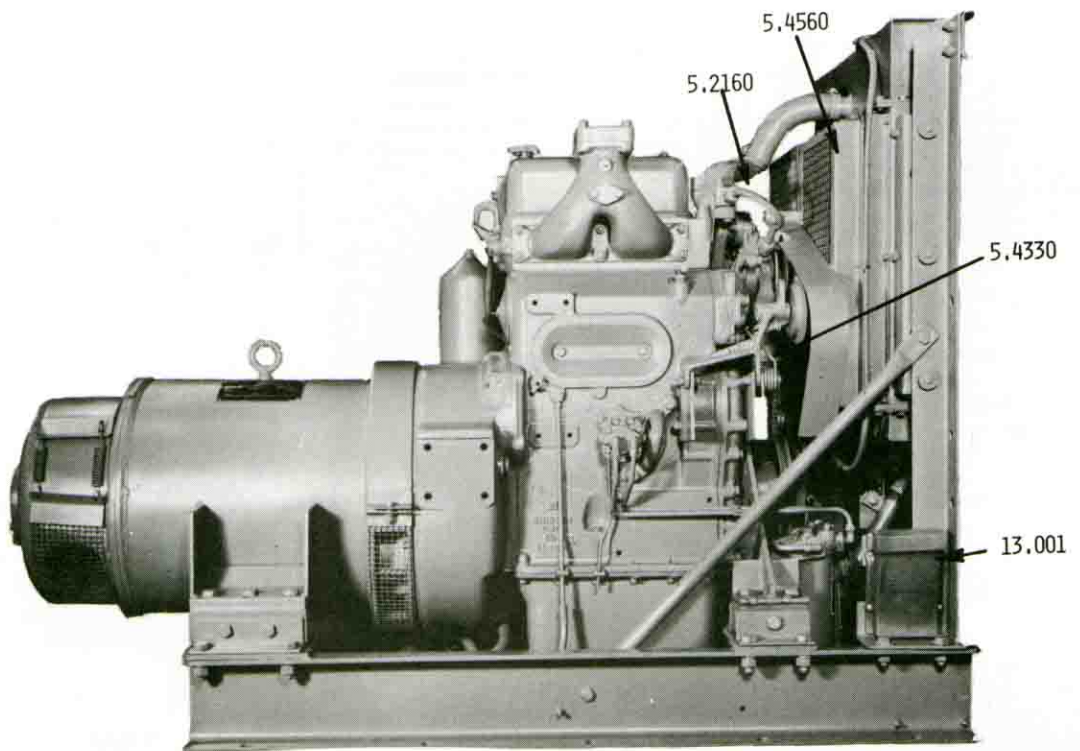


FIG. 40